

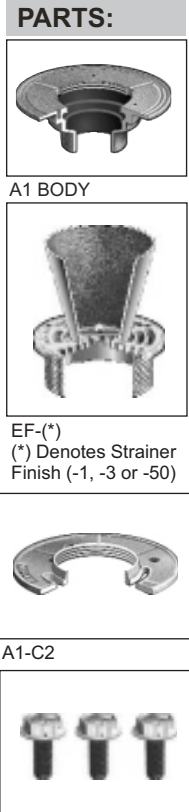
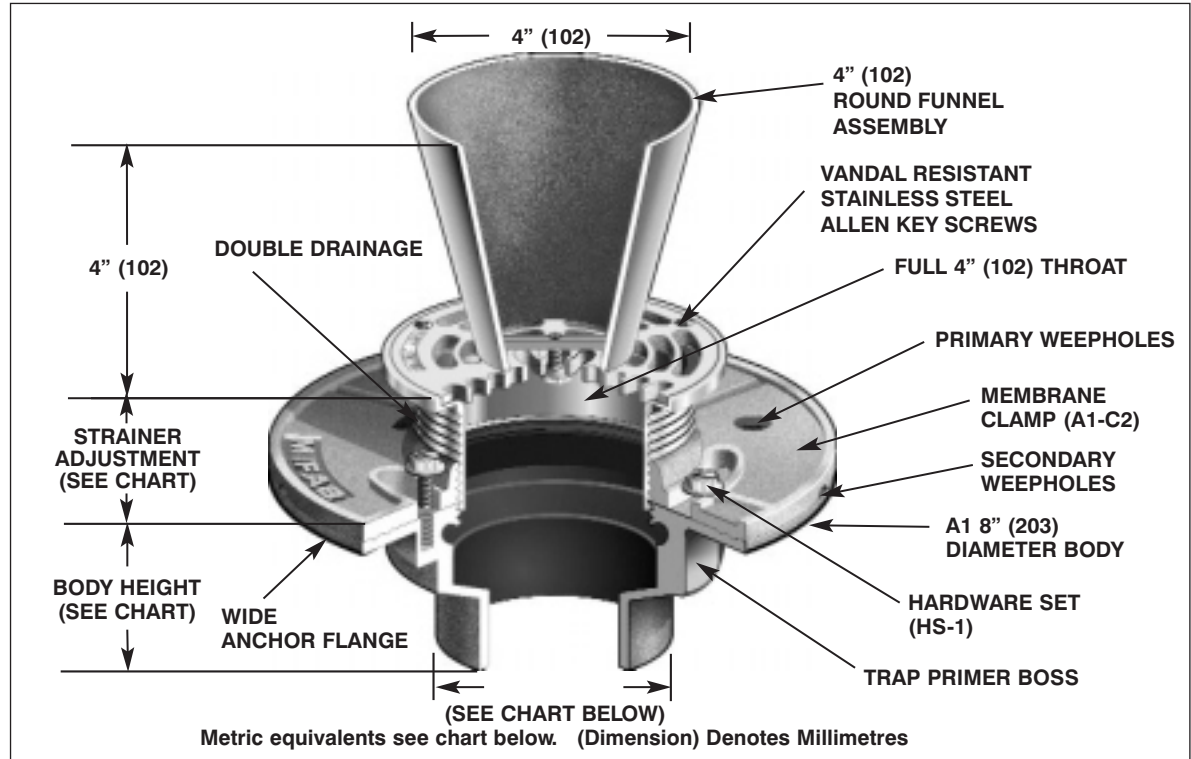


F1100-C-EF

ROUND FUNNEL FLOOR DRAIN FOR MEMBRANE FLOOR AREAS

Specification: MIFAB Series F1100-C-EF lacquered cast iron floor drain with anchor flange, cast iron membrane clamp ring with primary and secondary weepholes for waterproofing membrane, and standard 4" (102) round (specify strainer finish) bronze funnel assembly with vandal resistant allen key screws. (For non-membrane floors, use MIFAB F1100-EF Series.)

Function: Used in restaurants, hospitals, industrial laboratories, and other membrane finished areas where indirect waste lines above the floor drip condensate or waste water into the hub. The funnel prevents splashing and directs the waste into the drain. The exposed section of the grate will drain any other water on the floor. The funnel is bolted to the grate with a concealed screw and may be moved to any other grate location. The 4" round funnel is recommended for single pipe use only. Membrane clamp is provided to secure the waterproofing membrane.



HS-1
F1100-C-EF Series meets ANSI-ASME floor drain standard A112.6.3-2001

STRAINER DIAMETER	STRAINER ADJUSTMENT		PIPE SIZE	BODY HEIGHT				
	MIN	MAX		NO HUB (STANDARD)	PUSH ON (P)	THREADED (T)	INSIDE CAULK (X)	PVC/ABS (-30)/(-31)
5" (127)	1 9/16" (40)	2 11/16" (68)	2" (51)	3" (76)	3 3/8" (86)	2 1/4" (57)	3 3/4" (95)	2 15/16" (75)
			3" (76)	3" (76)	3 3/8" (86)	2 5/8" (67)	3 3/4" (95)	3 3/4" (95)
			4" (102)	3" (76)	3 3/8" (86)	2 5/8" (67)	3 3/4" (95)	3 3/4" (95)
			5" (127)	3" (76)	—	2 5/8" (67)	3 3/4" (95)	—
			6" (152)	3 1/4" (83)	6 1/2" (165)	—	—	—

OPTIONAL VARIATIONS:

Nickel bronze strainer and funnel (standard)	-1
Stainless steel strainer and funnel	-3
Sediment bucket	-5
Security screws (T-20 Torx & pin)	-6
1/2" trap seal primer connection	-7
Backwater valve (2", 3", 4")	-8
Acid resistant epoxy coated body	-11
Galvanized body	-13
Extension	-15
Secondary flat stainless steel strainer (2", 3", 4")	-21
Stainless steel body (Type 304)	-28

PVC socket connection body	-30
ABS socket connection body	-31
Closure plug	-34
Underdeck clamp	-40
Sump receiver	-41
Chrome plated strainer	-49
Lacquered cast iron funnel for unfinished areas	-50
Threaded side outlet (2", 3", 4") (cast iron only)	-90
No hub side outlet (2", 3", 4") (cast iron only)	-90NH
Client logo	-95

ARRA (Stimulus Act) compliant product	-ARRA
Buy American Act compliant product	-BA
Clamp ring for low rough-in (min. 1/2" (13))	-C1
No hub outlet	(Standard)
Push on outlet	P
Pennsylvania Steel Act compliant product	-PA
Threaded outlet (2", 3", 4")	T
Inside caulk outlet	X
Extended wide elastomeric flange	-Z

Job Name: _____ Page No: _____
 Section No: _____ Contractor: _____
 Schedule No: _____ Purchase Order No: _____

MIFAB reserves the right to make changes in material and design without formal notice and obligation.