

Location: _____



GV-FXF-NRS

FLANGED BY FLANGED NRS

Specification: BEECO Series GV-FXF-NRS is a Flanged by Flanged Gate Valve. They feature a non-rising stem for compact areas, they feature an epoxy-coated, ductile body, all flange dimensions comply with ANSI B16.1, they have resilient wedge disc, ductile bonnet, a stainless steel stem and cast iron handwheel. Maximum Pressure: 230 psi (16 bar) CWP. Valves comply with AWWA C515 standard.

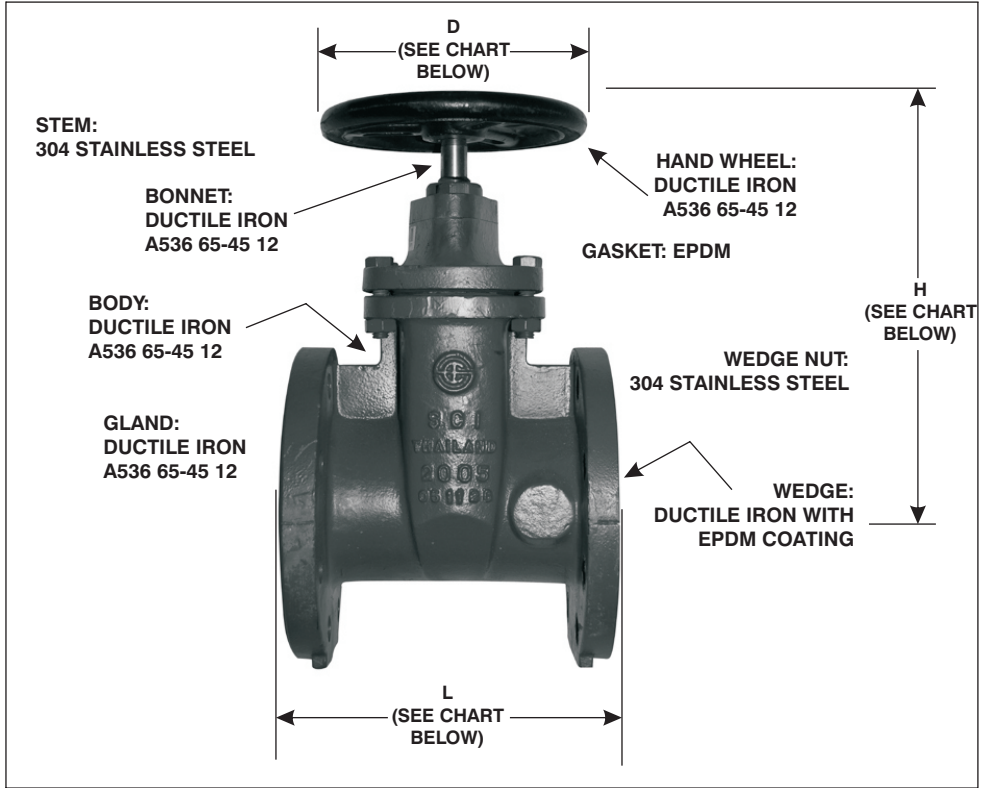
Function: Used in irrigation and water distribution. The BEECO Series GV-FXF-NRS is best used in the fully opened or fully closed position but can be used as a throttling valve.

Features:

- » Valves are designed to take a Hand Wheel or an Actuator.
- » Valves are rated for a working pressure of 21 bars/300 P.S.I.
- » All valves are Fusion Bonded Epoxy Coated.

Ratings:

- » All BEECO NRS Values come with Stainless Steel stem. (competitors use brass).
- » Working pressure class 125 pressure valves are rated for a working pressure of 21 bars/300 P.S.I.
- » Valves are tested at 5 times the working pressure tested at 1,000 cycles.



Model No.	Valve Size	L	H	D
GV2.50-FXF-NRS	2 1/2" (65)	7 1/2" (191)	10 1/32" (255)	7" (178)
GV3.00-FXF-NRS	3" (76)	8" (203)	11" (280)	10" (254)
GV4.00-FXF-NRS	4" (102)	9" (229)	12" (305)	10" (254)
GV6.00-FXF-NRS	6" (152)	10 1/2" (267)	16 7/16" (417)	12" (305)
GV8.00-FXF-NRS	8" (203)	11 1/2" (292)	20 5/8" (525)	14" (356)
GV10.00-FXF-NRS	10" (254)	13" (330)	24 1/2" (621)	16" (405)

Job Name: _____ Page No: _____
 Section No: _____ Contractor: _____
 Schedule No: _____ Purchase Order No: _____

BEECO reserves the right to make changes in material and design without formal notice and obligation.