

Location: \_\_\_\_\_



# GV-FXG-OSY

FLANGED BY GROOVED OSY

**Specification:** BEECO Series GV-FXG-OSY is a Flanged by Grooved Gate Valve. They feature an epoxy-coated, ductile body, all flange dimensions comply with ANSI B16.1, all grooved dimensions comply with AWWA C606, they have resilient wedge disc, ductile bonnet, a stainless steel stem and cast iron handwheel. Maximum Pressure: 230 psi (16 bar) CWP. Valves comply with AWWA C515 standard.

**Function:** They are used in irrigation and water distribution. The Beeco Series GV-FXG-OSY is best used in the fully opened or fully closed position but can be used as a throttling valve.

**Features:**

» All BEECO OSY Valves come with Stainless Steel Stem for better corrosion resistance.

» Post indicators - body upright and wall types.

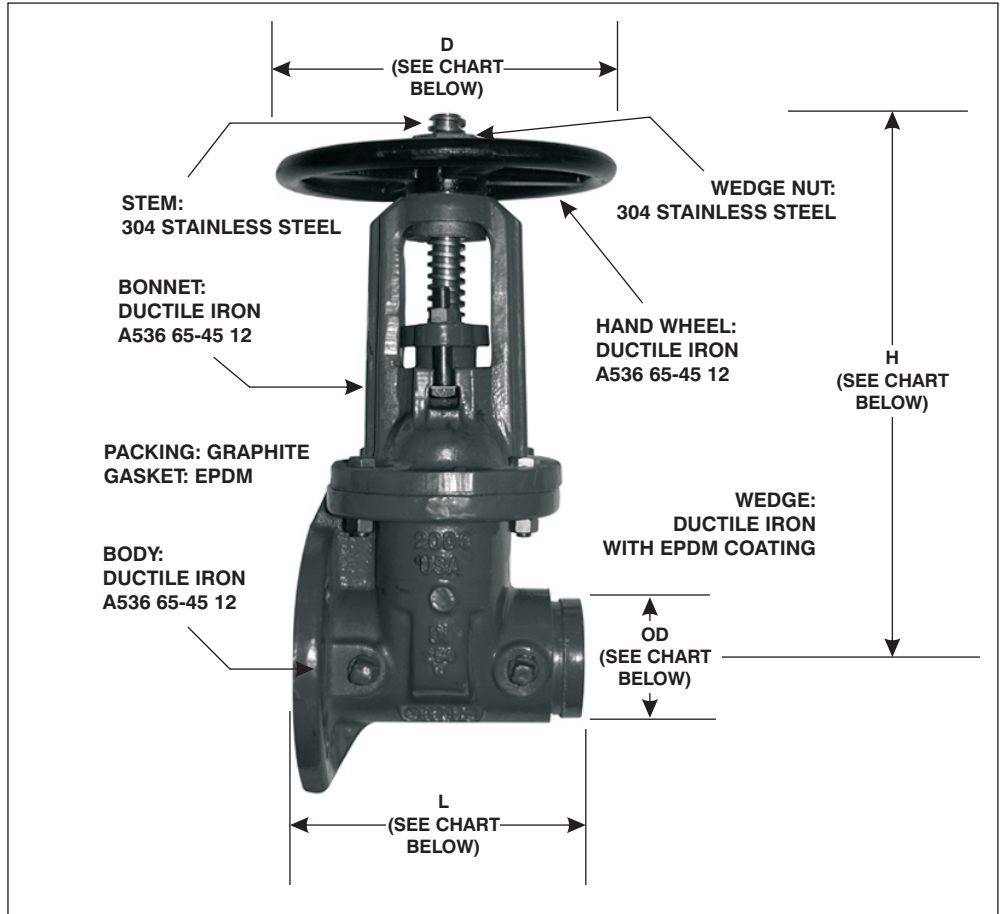
» Pre-grooved stems for tamper switch attachment

**Ratings:**

» Valves are rated for a working pressure of 16 bars class 125.

» Valves have a temperature rating up to 250° F (120° C).

» Valve complies with AWWA C515 standard.



Model No.	Valve Size	L	H	D	OD
GV2.50-FXG-OSY	2 1/2" (65)	7 1/2" (191)	16 3/8" (415)	10" (254)	2 7/8" (73.0), 3" (76.1)
GV3.00-FXG-OSY	3" (76)	8" (203)	18 7/8" (480)	10" (254)	3.5" (88.9)
GV4.00-FXG-OSY	4" (102)	9" (229)	21 5/8" (550)	10" (254)	4.5" (114.3)
GV6.00-FXG-OSY	6" (152)	10 1/2" (267)	29 1/8" (740)	12" (305)	6.5" (165.1), 6 5/8" (168.3)
GV8.00-FXG-OSY	8" (203)	11 1/2" (292)	36 5/8" (930)	14" (356)	8 5/8" (219.1)
GV10.00-FXG-OSY	10" (254)	13" (330)	44 1/2" (1130)	17 1/2" (445)	10 3/4" (273)

Job Name: \_\_\_\_\_ Page No: \_\_\_\_\_  
 Section No: \_\_\_\_\_ Contractor: \_\_\_\_\_  
 Schedule No: \_\_\_\_\_ Purchase Order No: \_\_\_\_\_