

Location: _____



GV-GXG-NRS

GROOVED BY GROOVED NRS

Specification: BEECO Series GV-GXG-NRS is a Grooved by Grooved Gate Valve. They feature a non-rising stem for compact areas, they feature an epoxy-coated, ductile body, all grooved dimensions comply with AWWA C606 they have resilient wedge disc, ductile bonnet, a stainless steel stem and cast iron handwheel.
 Maximum Pressure: 230 psi (16 bar) CWP. Valves comply with AWWA C515 standard.

Function: Used in irrigation, and water distribution. The BEECO Series GV-GXG-NRS is best used in the fully opened or fully closed position but can be used as a throttling valve.

Features:

» Valves are designed to take a Hand Wheel or an Actuator.

» Valves are rated for a working pressure of 21 bars/300 P.S.I.

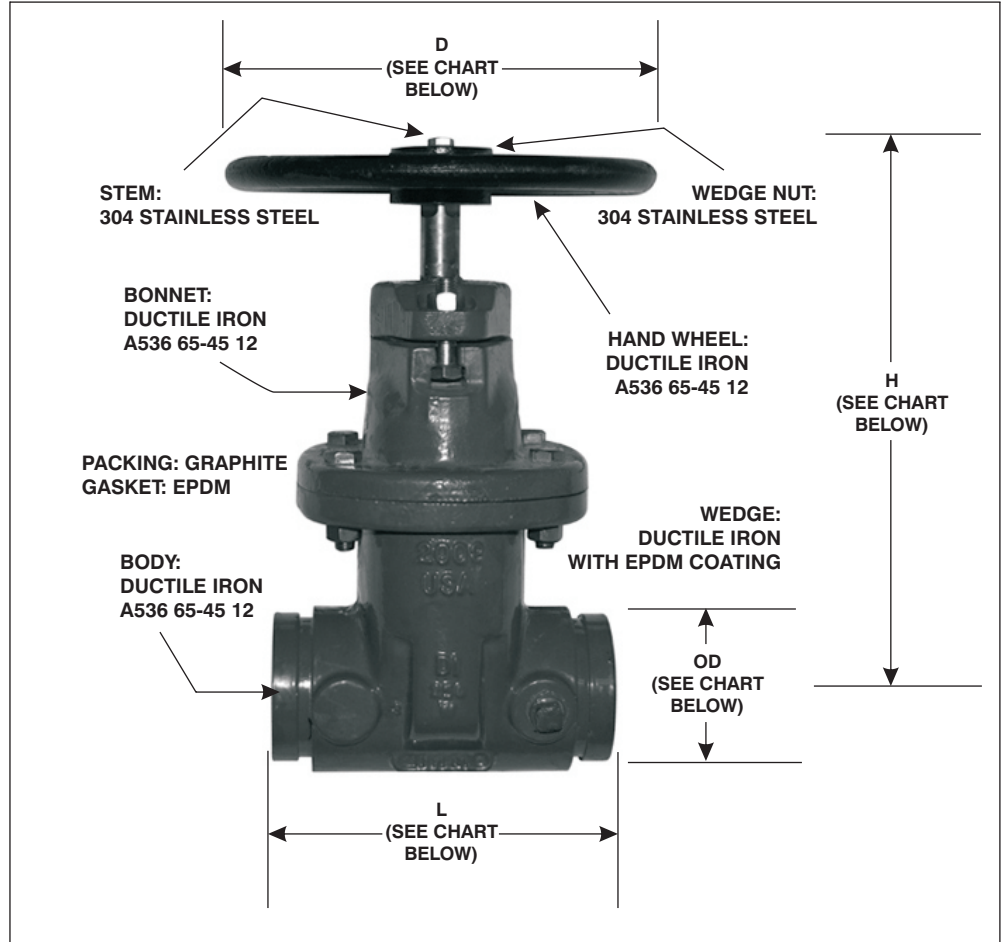
» All valves are Fusion Bonded Epoxy Coated.

Ratings:

» All BEECO NRS Values come with Stainless Steel stem (competitors use brass).

» Working pressure class 125 pressure valves are rated for a working pressure of 21 bars/300 P.S.I.

» Valve complies with AWWA C515 standard.



Model No.	Valve Size	L	H	D	OD
GV2.50-GXG-NRS	2 1/2" (65)	7 1/2" (191)	10 1/32" (255)	7" (178)	2 7/8" (73.0), 3" (76)
GV3.00-GXG-NRS	3" (76)	8" (203)	11" (280)	7.5" (190)	3.5" (88.9)
GV4.00-GXG-NRS	4" (102)	9" (229)	12" (305)	10" (254)	4.5" (114.3)
GV6.00-GXG-NRS	6" (152)	10 1/2" (267)	16 7/16" (417)	12" (305)	6.5" (165.1), 6 5/8" (168.3)
GV8.00-GXG-NRS	8" (203)	11 1/2" (292)	20 5/8" (525)	14" (356)	8 5/8" (219.1)
GV10.00-GXG-NRS	10" (254)	13" (330)	24 1/2" (621)	16" (405)	10 3/4" (273)

Job Name: _____ Page No: _____
 Section No: _____ Contractor: _____
 Schedule No: _____ Purchase Order No: _____