

Location: \_\_\_\_\_

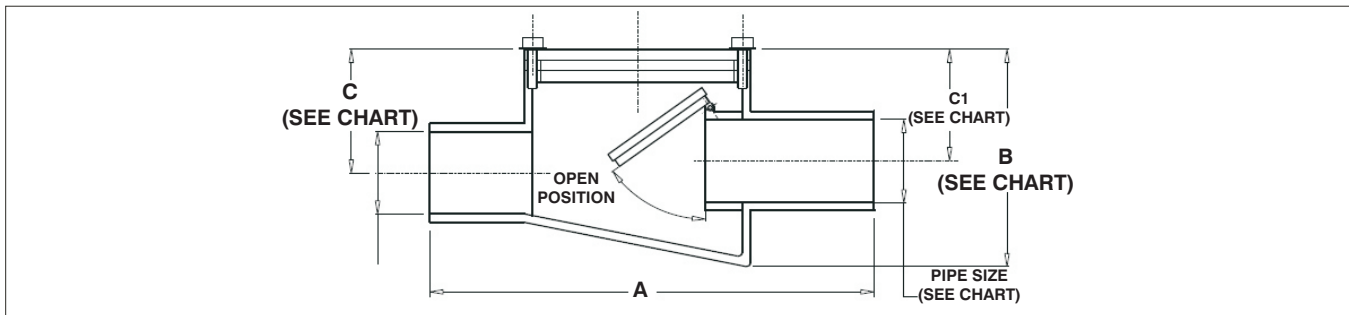
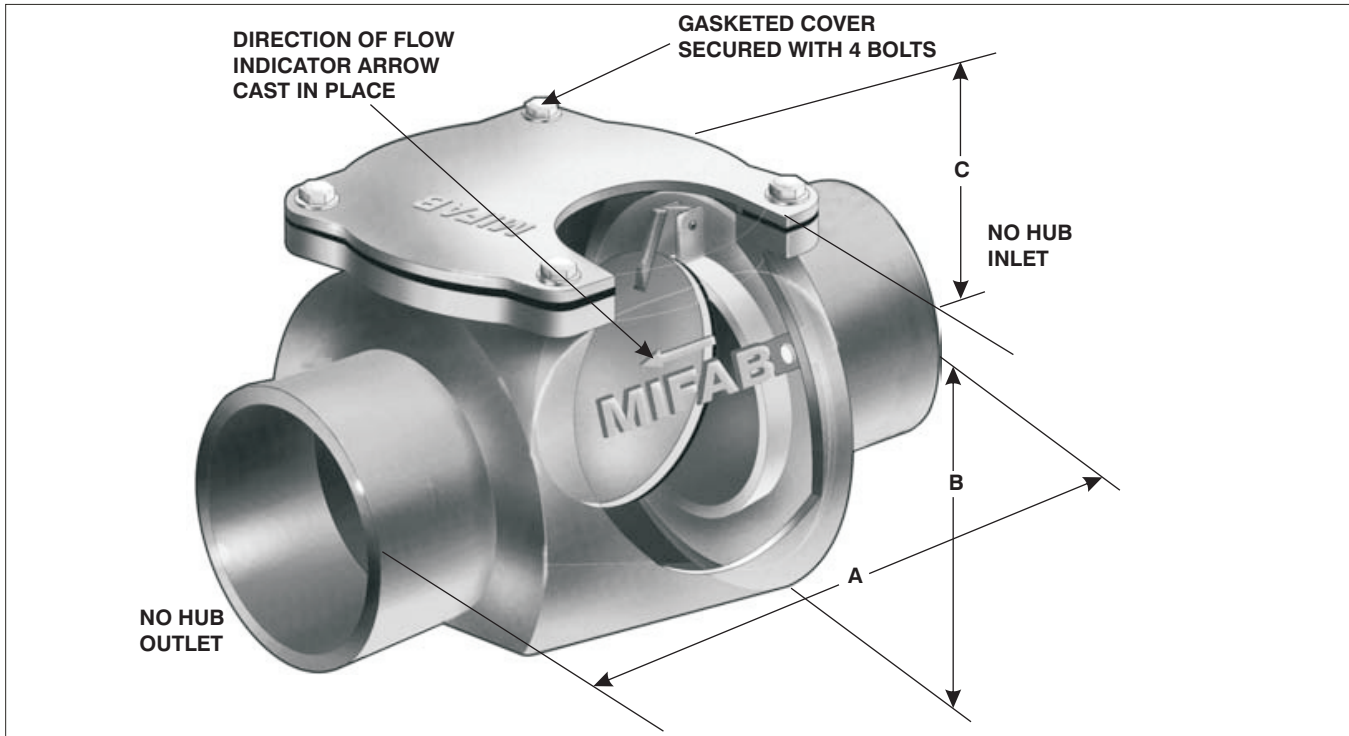


**BV1000**

**CAST IRON BACKWATER VALVE WITH BRONZE FLAPPER**

**Specification:** MIFAB Series BV1000 lacquered cast iron backwater valve with no hub inlet and outlet, gasketed bolt cover and automatic bronze flapper type backwater valve.

**Function:** Used in main branch or sewer lines to prevent backflow from the sewers. Full opening access through cover to the flapper assembly for repair and maintenance.



**Note:** Do not use for pressurized applications; for gravity flow only. Backflow protection is prevented when the valve is obstructed by debris or sludge; clean regularly.

MODEL NUMBER	CONNECTION SIZE	LENGTH A	HEIGHT B	INVERT (OUTLET) C	INVERT (INLET) C1
BV1002	2" No Hub	10 3/4" (273)	5 1/2" (140)	2.40" (61)	2 1/8" (54)
BV1003	3" No Hub	11 3/4" (298)	6 3/4" (171)	3.40 (86)	3 1/8" (79)
BV1004	4" No Hub	12 3/4" (324)	7 1/2" (191)	3 5/8" (92)	3 1/2" (89)
BV1006	6" No Hub	14 3/4" (375)	10" (254)	5" (127)	4 5/8" (117)
BV1008	8" No Hub	17" (432)	12 1/4" (311)	7" (178)	6 1/2" (165)
BV1010	10" No Hub	23 5/8" (600)	13 1/2" (343)	7" (178)	7 1/2" (191)

**SUFFIX    OPTIONAL VARIATIONS:    SUFFIX**

-13    All galvanized    -HS    Hub and spigot connection

-BA    Buy American Act compliant product    -PA    Pennsylvania Steel Act compliant product

Job Name: \_\_\_\_\_ Page No: \_\_\_\_\_

Section No: \_\_\_\_\_ Contractor: \_\_\_\_\_

Schedule No: \_\_\_\_\_ Purchase Order No: \_\_\_\_\_

MIFAB reserves the right to make changes in material and design without formal notice and obligation.

USA: 1-800-465-2736 www.mifab.com CAN: 1-800-387-3880