

Location: _____



C

**RUBBER SUPPORT SERIES WITH
7/8" GALVANIZED STEEL CHANNEL**

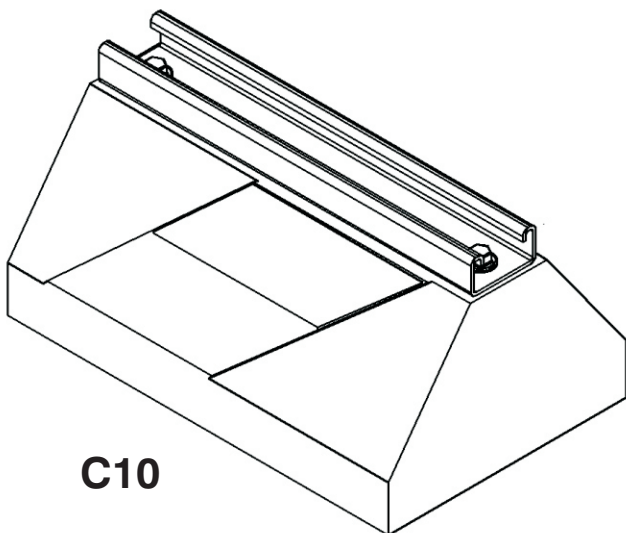
Specification:

Base with 14 gauge Galvanized Channel (13/16" high)
Dimensions - 4 7/8" High x 6" Wide x 9.6" to 48" Length (See Chart)
Material - 100% recycled rubber, UV resistant
Maximum Load - 750 lbs. - for each 9.6" long support



**Environmentally Friendly
made from 100% recycled tires**

Function: C Series channel support is designed for superior support of gas and refrigeration piping systems, cable tray, electrical conduit, multiple lines, HVAC equipment and many other applications. It is UV resistant and suitable for installation on most types of roofing material or other flat surfaces. Can be used as a curb (sleeper) replacement.



C10



Note: C10 illustrated. Pipe clamp by others.



Note: C10 illustrated

MODEL #	HEIGHT (H)	WIDTH (W)	LENGTH (L)	WEIGHT
C10	4 7/8" (124)	6" (152)	9.6" (244)	5.30 lbs.
C20	4 7/8" (124)	6" (152)	19.2" (488)	11.23 lbs.
C30	4 7/8" (124)	6" (152)	28.8" (732)	16.31 lbs.
C40	4 7/8" (124)	6" (152)	38.5" (978)	21.72 lbs.
C48	4 7/8" (124)	6" (152)	48" (1219)	27.12 lbs.

Channel also available in corrosion resistant stainless steel or aluminum.

Job Name: _____ Page No: _____
 Section No: _____ Contractor: _____
 Schedule No: _____ Purchase Order No: _____

MIFAB reserves the right to make changes in material and design without formal notice and obligation.

USA: 1-800-465-2736 www.mifab.com CAN: 1-800-387-3880