

Location: _____



CES

MEDIUM LOAD SERIES

Specification:

Dimensions - 10" High x 9.6" Base Length x 12" to 24" Crossbeam Width (See Chart)

Material

Base - 100% recycled rubber, UV resistant

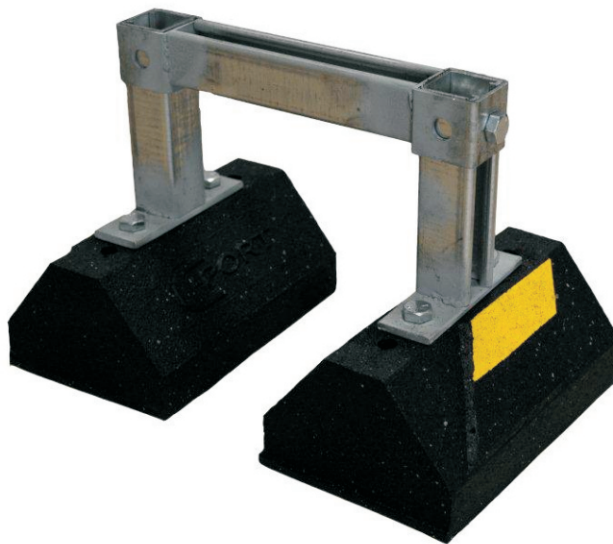
Crossbeam and Uprights - 1 5/8" x 1 5/8", 12 gauge galvanized steel strut

Maximum Load - 500 lbs.

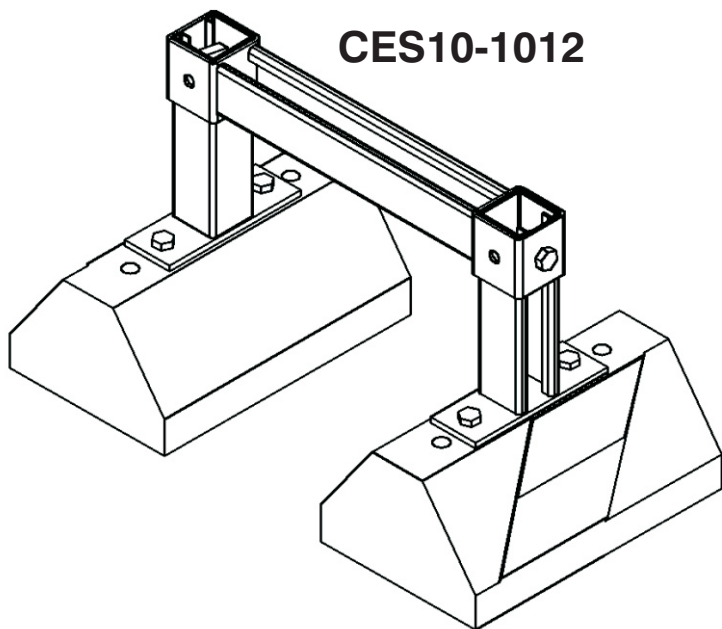


**Environmentally Friendly
made from 100% recycled tires**

Function: The CES Series can support gas and refrigeration piping systems, cable tray, electrical conduit, multiple lines, HVAC equipment and many other applications. It is designed for rooftop applications requiring a heavier load bearing, and is suitable for most types of roofing material or other flat surfaces.



CES10-1012



Note: CES10-1012 illustrated.

MODEL #	Height (H)	Crossbeam Width	Base Width	Base Length	Weight
CES10-1012	10" (254)	12" (305)	6" (152)	9.6" (244)	14.21 lbs.
CES10-1024	10" (254)	24" (610)	6" (152)	9.6" (244)	15.62 lbs.

Channel also available in corrosion resistant stainless steel or aluminum.

Job Name: _____	Page No: _____
Section No: _____	Contractor: _____
Schedule No: _____	Purchase Order No: _____

MIFAB reserves the right to make changes in material and design without formal notice and obligation.

USA: 1-800-465-2736 www.mifab.com CAN: 1-800-387-3880