



CXM & C5

SMALL RUBBER SUPPORT SERIES

Specification:

Dimensions - see chart

Material

Base - 100% recycled rubber, UV resistant

Strut (on C5) - 14 gauge galvanized steel (1 5/8" wide x 7/8" tall)

Maximum Load

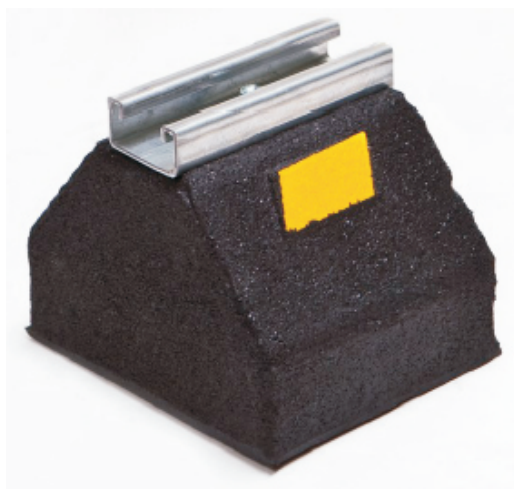
CXM - 150 lbs.

C5 - 300 lbs.



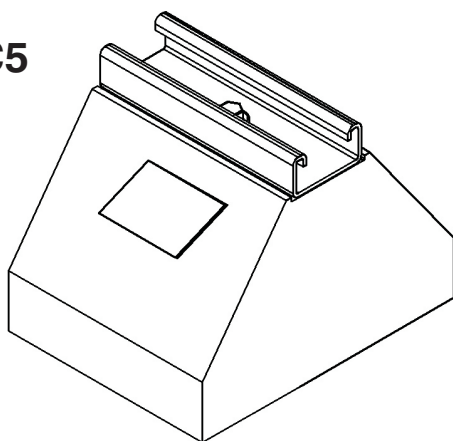
Environmentally Friendly
made from 100% recycled tires

Function: The CXM and C5 Series provide an economic alternative. They are perfect for supporting conduit or smaller pipe.

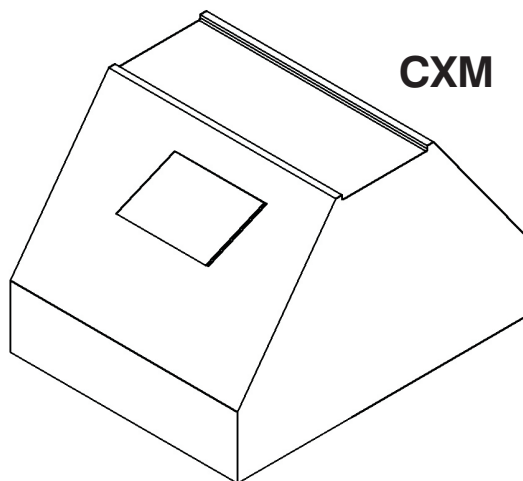


Note: CXM illustrated. Pipe clamp by others.

C5



CXM



MODEL #	HEIGHT (H)	WIDTH (W)	LENGTH (L)	WEIGHT
CXM	4" (102)	6" (152)	4 1/2" (114)	2.60 lbs.
C5	4 7/8" (124)	6" (152)	5" (127)	3.32 lbs.

Channel with C5 is available in corrosion resistant stainless steel or aluminum.

Job Name: _____	Page No: _____
Section No: _____	Contractor: _____
Schedule No: _____	Purchase Order No: _____