



CZ

SEISMIC SERIES

Specification:

Dimensions - 4 7/8" High x 6" Wide x 9.6" to 38.5" Length (Base Length)

Materials

Base - 100% recycled rubber, UV resistant

Strut - 14 gauge Galvanized Channel

Rod - 1/2" electro zinc plated all threaded rod risers

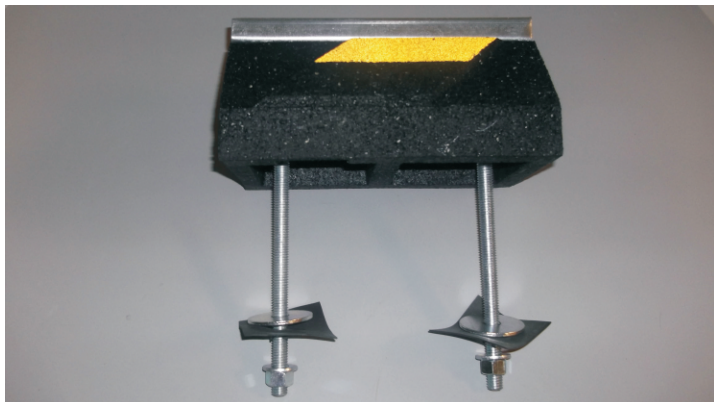
Gasket - 3" x 3"

Maximum Load - 750 lbs. - for each 9.6" long support

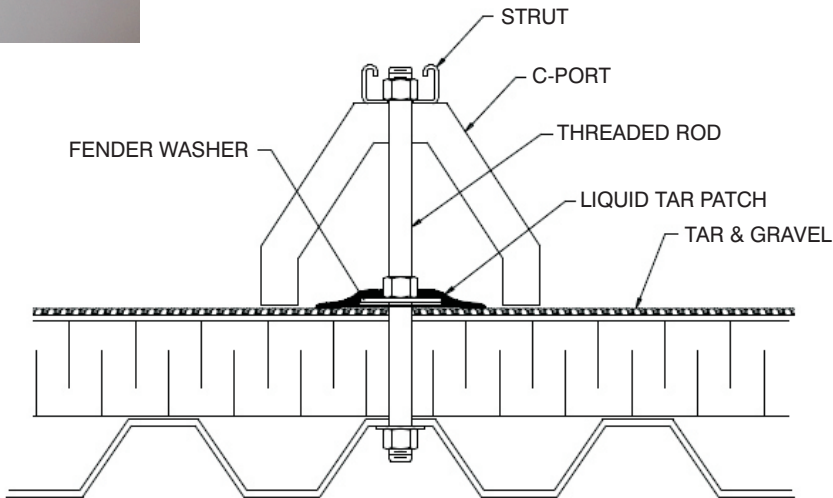
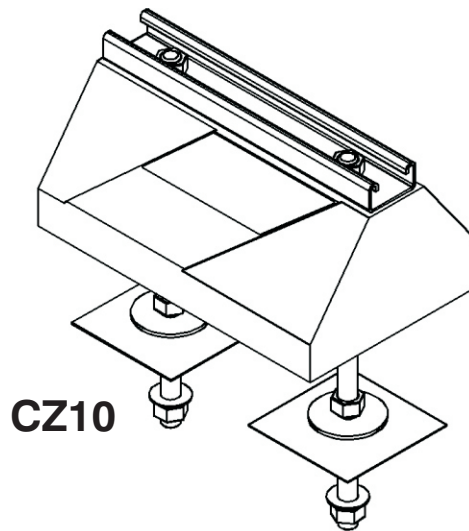


**Environmentally Friendly
made from 100% recycled tires**

Function: The CZ Seismic Series is designed for superior support of gas and refrigeration piping systems, cable tray, electrical conduit, multiple lines, HVAC equipment and many other applications. This is a penetrating support fastened to the structure under the membrane. It is ideally designed for hurricane resistance or seismic applications. It is suitable for most types of roofing material or other flat surfaces.



CZ10 illustrated.



MODEL #	HEIGHT (H)	WIDTH (W)	LENGTH (L)	WEIGHT
CZ10	4 7/8" (124)	6" (152)	9.6" (244)	5.90 lbs.
CZ20	4 7/8" (124)	6" (152)	19.2" (488)	11.83 lbs.
CZ30	4 7/8" (124)	6" (152)	28.8" (732)	16.91 lbs.
CZ40	4 7/8" (124)	6" (152)	38.5" (978)	22.32 lbs.

Channel also available in corrosion resistant stainless steel or aluminum.
Not seismic tested or approved.

Job Name: _____ Page No: _____
 Section No: _____ Contractor: _____
 Schedule No: _____ Purchase Order No: _____