

Location: \_\_\_\_\_

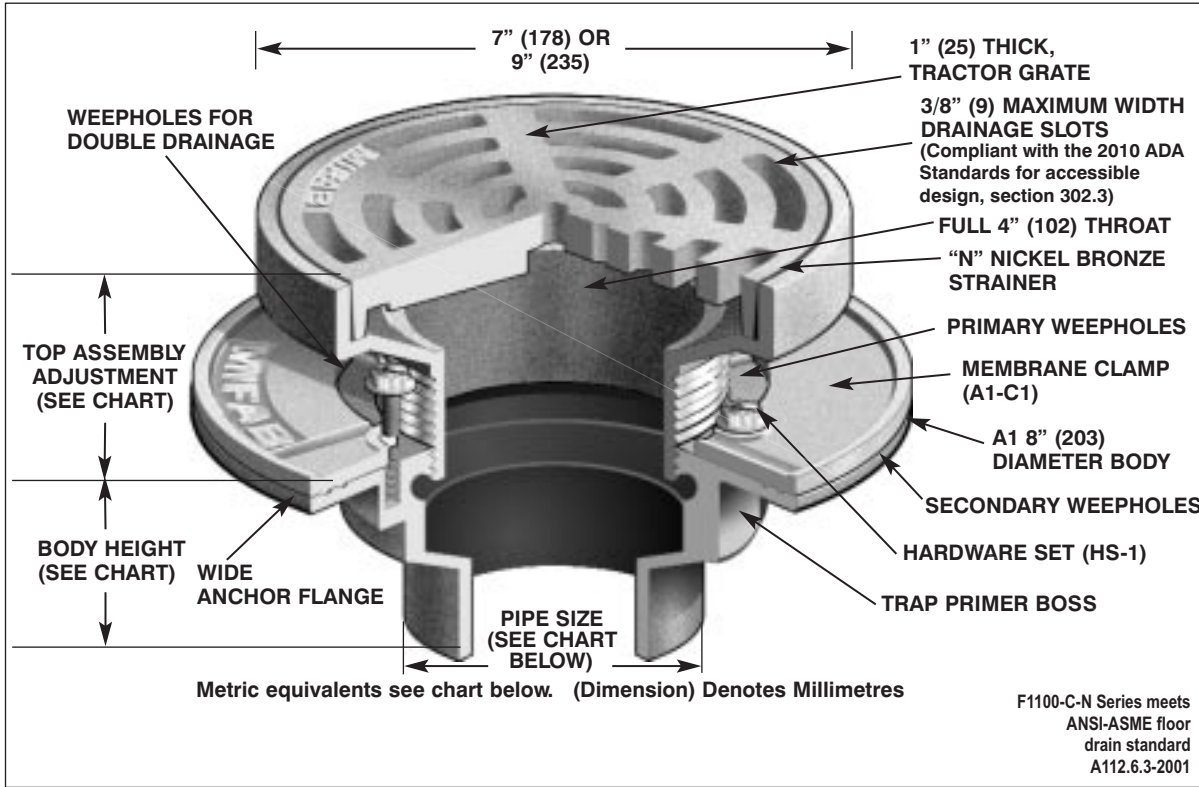


**F1100-C-N7/  
F1100-C-N9**

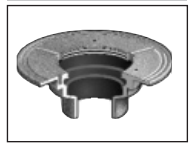
**FLOOR DRAIN WITH 7" OR 9"  
TRACTOR GRATE FOR  
MEMBRANE FLOOR AREAS**

**Specification:** MIFAB Series F1100-C-N lacquered cast iron floor drain with anchor flange, cast iron clamp ring with primary and secondary weepholes for waterproofing membrane, and 7" (178) or 9" (235) (specify N7 or N9) (specify material finish) tractor grate. (For non-membrane floors, use MIFAB F1100-N Series.)


**Function:** Used in restaurants, hospitals, industrial laboratories, and other membrane finished areas where heavy wheeled loads are expected and loose set, non tilt tractor grate is needed. Membrane clamp is provided to secure the waterproofing membrane.




**PARTS:**




A1 BODY



N(\*)-(\*\*)  
(\*) Denotes Strainer Size, 7" or 9"  
(\*\*) Denotes Strainer Finish (-1, -3 or -4)



A1-C1



HS-1

STRAINER DIAMETER	STRAINER ADJUSTMENT		ANSI/ASME RATING		PIPE SIZE	BODY HEIGHT				
	MIN	MAX	FREE AREA	LOAD RATING		NO HUB (STANDARD)	PUSH ON (P)	THREADED (T)	INSIDE CAULK (X)	PVC/ABS (-30)/(-31)
7" (178)	1 5/8" (41)	2 5/8" (67)	11.00 in <sup>2</sup> (7096 <sup>2</sup> )	ANSI/ASME LOAD CLASS "SPECIAL DUTY" (OVER 10,000 LBS)	2" (51)	3" (76)	3 3/8" (86)	2 1/4" (57)	3 3/4" (95)	2 15/16" (75)
					3" (76)	3" (76)	3 3/8" (86)	2 5/8" (67)	3 3/4" (95)	3 3/4" (95)
9" (235)	1 5/8" (41)	2 5/8" (67)	18 in <sup>2</sup> (11,613 <sup>2</sup> )	ANSI/ASME LOAD CLASS "SPECIAL DUTY" (OVER 10,000 LBS)	4" (102)	3" (76)	3 3/8" (86)	2 5/8" (67)	3 3/4" (95)	3 3/4" (95)
					5" (127)	3" (76)	—	2 5/8" (67)	3 3/4" (95)	—
					6" (152)	3 1/4" (83)	6 1/2" (165)	—	—	—
					—	—	—	—	—	—

<b>SUFFIX</b>	<b>OPTIONAL VARIATIONS:</b>	<b>SUFFIX</b>		<b>SUFFIX</b>	
-1	Nickel bronze strainer	-30	PVC socket connection body	-C1	Clamp ring for low rough-in (min. 1/2" (13))
-3	Stainless steel strainer (vener for 9")	-31	ABS socket connection body	-F4	4" Round funnel
-4	Ductile iron strainer assembly	-34	Closure plug	-F6	6" Round funnel
-5	Sediment bucket	-40	Underdeck clamp	-G	Oval 4" x 9" funnel
-6	Security screws (T-20 Torx & pin)	-41	Sump receiver	-J	6" x 3" x 1" funnel
-7	1/2" trap seal primer connection	-50	Lacquered cast iron dome	(Standard)	No hub outlet
-8	Backwater valve (2", 3", 4")	-90	Threaded side outlet (2", 3", 4") (cast iron only)	P	Push on outlet
-11	Acid resistant epoxy coated body	-90NH	No hub side outlet (2", 3", 4") (cast iron only)	-PA	Pennsylvania Steel Act compliant product
-12	Galvanized top assembly	-ARRA	ARRA (Stimulus Act) compliant product	T	Threaded outlet (2", 3", 4")
-13	Galvanized body	-BA	Buy American Act compliant product	X	Inside caulk outlet
-15	Extension			-Z	Extended wide elastomeric flange
-21	Secondary flat stainless steel strainer (2", 3", 4")				
-28	Stainless steel body (Type 304)				

Job Name: \_\_\_\_\_ Page No: \_\_\_\_\_  
 Section No: \_\_\_\_\_ Contractor: \_\_\_\_\_  
 Schedule No: \_\_\_\_\_ Purchase Order No: \_\_\_\_\_