

Location: _____

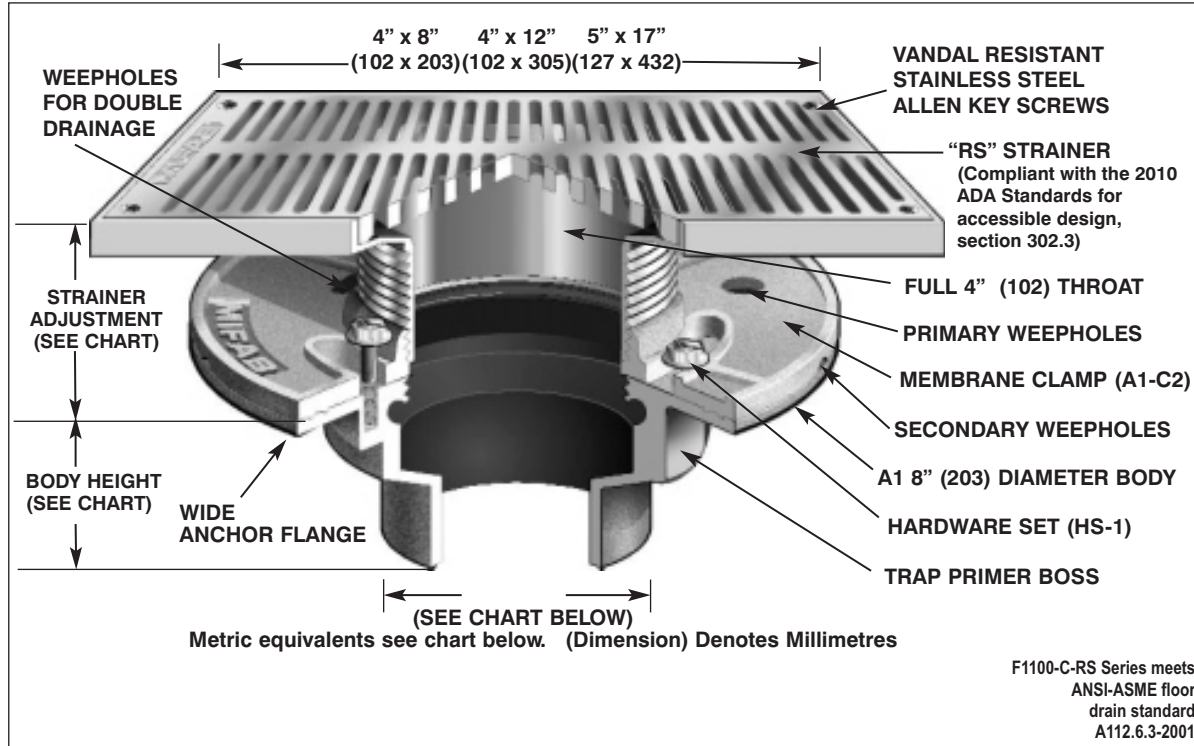


F1100-C-RS


FLOOR DRAIN WITH RECTANGULAR STRAINER FOR MEMBRANE FLOORS

Specification: MIFAB Series F1100-C-RS lacquered cast iron floor drain with anchor flange, cast iron membrane clamp ring with primary and secondary weepholes for waterproofing membrane, and "RS" (specify size) rectangular (specify material finish) strainer. (For non-membrane floors, use MIFAB F1100-RS Series.) Please note 5"x17" sized strainer available in stainless steel only.


Function: Used in showers, gutters and other membrane finished areas where a large grate free area is required and limited width is available. Membrane clamp is provided to secure the waterproofing membrane.



PARTS:




A1 BODY



A1-C2

RS(*)(**)
 (*) Denotes Strainer Size (4"x8", 4"x12" or 5"x17")
 (**) Denotes Strainer Finish (-1 or -3) (-3 only for 5" x 17")



HS-1

F1100-C-RS Series meets ANSI-ASME floor drain standard A112.6.3-2001

STRAINER SIZE	STRAINER ADJUSTMENT		ANSI/ASME RATING			PIPE SIZE	BODY HEIGHT				
	MIN	MAX	FREE AREA	LOAD RATING N.B. (-1) / S.S. (-3)			NO HUB (STANDARD)	PUSH ON (P)	THREADED (T)	INSIDE CAULK (X)	PVC/ABS (-30)/(-31)
4" x 8" (102 x 203)	2 1/2" (63)	3 3/4" (95)	11.0 in ² (7096 ²)	UP TO 2,000 LBS.	5000-7499 LBS.	2" (51) 3" (76)	3" (76) 3" (76)	3 3/8" (86) 3 3/8" (86)	2 1/4" (57) 2 5/8" (67)	3 3/4" (95) 3 3/4" (95)	2 15/16" (75) 3 3/4" (95)
4" x 12" (102 x 305)	2 1/2" (63)	3 3/4" (95)	15 in ² (9677 ²)	UP TO 2,000 LBS.	5000-7499 LBS.	4" (102) 5" (127)	3" (76) 3" (76)	3 3/8" (86) —	2 5/8" (67) 2 5/8" (67)	3 3/4" (95) 3 3/4" (95)	3 3/4" (95) —
5" x 17" (127 x 432)	2 1/2" (63)	3 3/4" (95)	18 in ² (11610 ²)	N/A	5000-7499 LBS.	6" (152)	3 1/4" (83)	6 1/2" (165)	—	—	—

SUFFIX	OPTIONAL VARIATIONS:	SUFFIX	SUFFIX
-1	Nickel bronze strainer	-34	Closure plug
-3	Stainless steel strainer	-40	Underdeck clamp
-5	Sediment bucket	-41	Sump receiver
-6	Security screws (T-20 Torx & pin)	-90	Threaded side outlet (2", 3", 4") (cast iron only)
-7	1/2" trap seal primer connection	-90NH	No hub side outlet (2", 3", 4") (cast iron only)
-8	Backwater valve (2", 3", 4")	-95	Client logo
-11	Acid resistant epoxy coated body	-ARRA	ARRA (Stimulus Act) compliant product
-13	Galvanized body	-BA	Buy American Act compliant product
-15	Extension		
-21	Secondary flat stainless steel strainer (2", 3", 4")		
-28	Stainless steel body (Type 304)		
-30	PVC socket connection body		
-31	ABS socket connection body		
		-C1	Clamp ring for low rough-in (min. 1/2" (13))
		-F4	4" Round funnel
		-F6	6" Round funnel
		(Standard)	No hub outlet
		-G	Oval 4" x 9" funnel
		-J	6" x 3" x 1" funnel
		P	Push on outlet
		-PA	Pennsylvania Steel Act compliant product
		T	Threaded outlet (2", 3", 4")
		X	Inside caulk outlet
		-Z	Extended wide elastomeric flange

Job Name: _____ Page No: _____
 Section No: _____ Contractor: _____
 Schedule No: _____ Purchase Order No: _____