

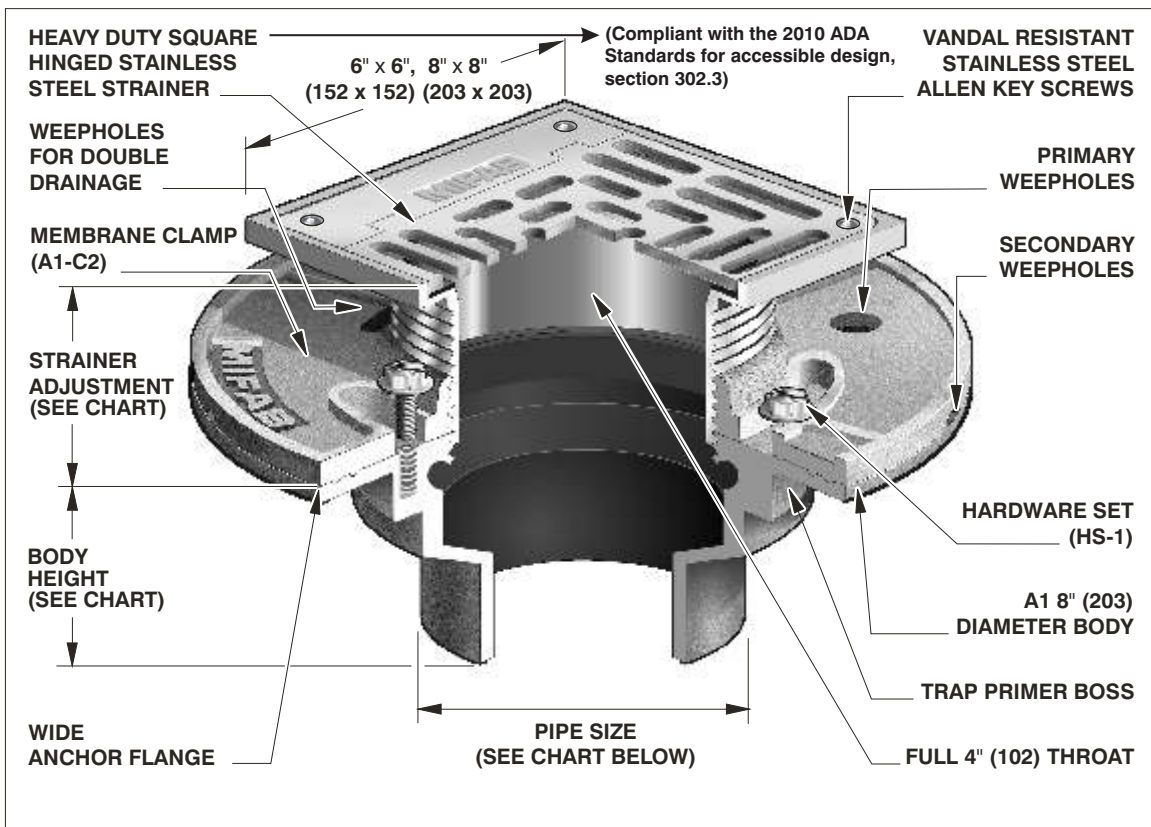
Location: _____

MIFAB® F1100-C-SHG

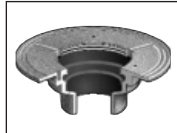
FLOOR DRAIN WITH SQUARE HINGED FOR MEMBRANE FLOOR AREAS

Specification: MIFAB Series F1100-C-SHG(*)-3 (* specify strainer size) lacquered cast iron floor drain with anchor flange, cast iron membrane clamp with primary and secondary weepholes for waterproofing membrane and square, hinged heavy duty, polished stainless steel strainer. (For non-membrane floors, use MIFAB F1100-SHG Series.)

Function: Used in showers, kitchens, restrooms and other membrane finished areas. Hinged grate ensures that grate is not lost during maintenance. Square adjustable stainless steel hinged strainer is used for all types of poured finished floors.



PARTS:



A1 BODY



SHG(*)-3
(*) Denotes Strainer Size (6"x6" or 8"x8")



A1-C2



HS-1

F1100-C-SHG Series meets ANSI-ASME floor drain standard A112.6.3-2001

STRAINER SIZE	STRAINER ADJUSTMENT		ANSI/ASME RATING		PIPE SIZE	BODY HEIGHT				
	MIN	MAX	FREE AREA	LOAD RATING S.S. (-3)		NO HUB (STANDARD)	PUSH ON (P)	THREADED (T)	INSIDE CAULK (X)	PVC/ABS (-30)/(-31)
6" x 6" (152)	1 11/16" (43)	2 5/8" (67)	9 in ² (7700 ²) LBS.	5000 to 7499 LBS.	2" (51)	3" (76)	3 3/8" (86)	2 1/4" (57)	3 3/4" (95)	2 15/16" (75)
					3" (76)	3" (76)	3 3/8" (86)	2 5/8" (67)	3 3/4" (95)	3 3/4" (95)
8" x 8" (203)	1 7/8" (48)	2 3/4" (70)	18 in ² (11600 ²) LBS.	5000 to 7499 LBS.	4" (102)	3" (76)	3 3/8" (86)	2 5/8" (67)	3 3/4" (95)	3 3/4" (95)
					5" (127)	3" (76)	—	2 5/8" (67)	3 3/4" (95)	—
					6" (152)	3 1/4" (83)	6 1/2" (165)	—	—	—

SUFFIX OPTIONAL VARIATIONS:

- 3 Stainless steel strainer (standard)
- 5 Sediment bucket
- 6 Security screws (T-20 Torx & pin)
- 7 1/2" trap seal primer connection
- 8 Backwater valve (2", 3", 4")
- 11 Acid resistant epoxy coated body
- 13 Galvanized body
- 15 Extension
- 21 Secondary flat stainless steel strainer (2", 3", 4")
- 28 Stainless steel body (Type 304)
- 30 PVC socket connection body
- 31 ABS socket connection body

SUFFIX

- 34 Closure plug
- 40 Underdeck clamp
- 41 Sump receiver
- 49 Chrome Plated Strainer Assembly
- 90 Threaded side outlet (2", 3", 4") (cast iron only)
- 90NH No hub side outlet (2", 3", 4") (cast iron only)
- 95 Client logo
- ARRA ARRA (Stimulus Act) compliant product
- BA Buy American Act compliant product

SUFFIX

- C1 Clamp ring for low rough-in (min. 1/2" (13))
- F4 4" Round funnel
- F6 6" Round funnel
- G Oval 4" x 9" funnel
- J 6" x 3" x 1" funnel
- (Standard) No hub outlet
- P Push on outlet
- PA Pennsylvania Steel Act compliant product
- T Threaded outlet (2", 3", 4")
- X Inside caulk outlet
- Z Extended wide elastomeric flange

Job Name: _____ Page No: _____
 Section No: _____ Contractor: _____
 Schedule No: _____ Purchase Order No: _____