

Location: _____

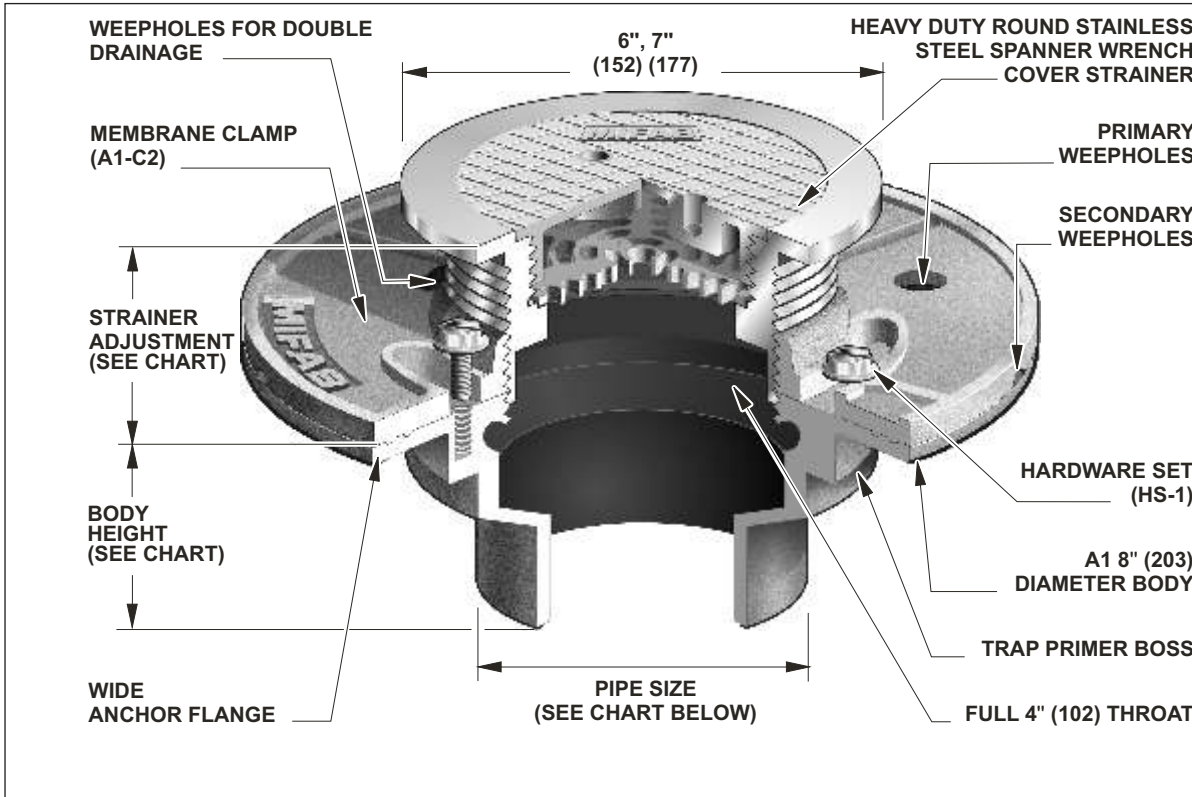


F1100-C-T


FLOOR DRAIN WITH SPANNER WRENCH COVER STRAINER COVER FOR MEMBRANE FLOOR AREAS

Specification: MIFAB Series F1100-C-T(*)-3 (* specify strainer diameter) lacquered cast iron floor drain with anchor flange, cast iron membrane clamp with primary and secondary weepholes for waterproofing membrane, and heavy duty, solid, gas tight, spanner wrench, vandal proof, stainless steel cover for secured access. (For non-membrane floors, use MIFAB F1100-T Series.)


Function: Used in non-membrane finished areas where irregular drain use is required. Solid, gas tight, spanner wrench, vandal proof, stainless steel cover ensures secure access. Used for all types of poured finished floors.




PARTS:



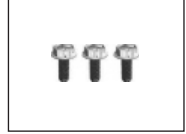
A1 BODY



T(*)-3
(*) Denotes Strainer Size (6" or 7" Diameter)



A1-C2



HS-1

F1100-C-T Series meets ANSI-ASME floor drain standard A112.6.3-2001

STRAINER DIAMETER	STRAINER ADJUSTMENT		ANSI/ASME RATING		PIPE SIZE	BODY HEIGHT				
	MIN	MAX	FREE AREA	LOAD RATING S.S. (-3)		NO HUB (STANDARD)	PUSH ON (P)	THREADED (T)	INSIDE CAULK (X)	PVC/ABS (-30)/(-31)
6" (152)	11/16" (17)	1 1/2" (38)	9 in ² (5800 ²)	5000 to 7499 LBS.	2" (51) 3" (76)	3" (76)	3 3/8" (86)	2 1/4" (57)	3 3/4" (95)	2 15/16" (75) 3 3/4" (95)
7" (177)	9/16" (14)	1 9/16" (40)	12 in ² (7700 ²)	5000 to 7499 LBS.	4" (102)	3" (76)	3 3/8" (86)	2 5/8" (67)	3 3/4" (95)	3 3/4" (95)
					5" (127)	3" (76)	—	2 5/8" (67)	3 3/4" (95)	—
					6" (152)	3 1/4" (83)	6 1/2" (165)	—	—	—

SUFFIX	OPTIONAL VARIATIONS:	SUFFIX	SUFFIX
-3	Stainless steel strainer (standard)	-34	Closure plug
-5	Sediment bucket	-40	Underdeck clamp
-6	Security screws (T-20 Torx & pin)	-41	Sump receiver
-7	1/2" trap seal primer connection	-49	Chrome Plated Strainer Assembly
-8	Backwater valve (2",3",4")	-90	Threaded side outlet (2",3",4") (cast iron only)
-11	Acid resistant epoxy coated body	-90NH	No hub side outlet (2", 3", 4") (cast iron only)
-12	Galvanized top assembly	-95	Client logo
-13	Galvanized body	-ARRA	ARRA (Stimulus Act) compliant product
-15	Extension	-BA	Buy American Act compliant product
-21	Secondary flat stainless steel strainer (2", 3", 4")		
-28	Stainless steel body (Type 304)		
-30	PVC socket connection body		
-31	ABS socket connection body		
		-C1	Clamp ring for low rough-in (min. 1/2" (13))
		-F4	4" Round funnel
		-F6	6" Round funnel
		-G	Oval 4" x 9" funnel
		-J	6" x 3" x 1" funnel
		(Standard)	No hub outlet
		P	Push on outlet
		-PA	Pennsylvania Steel Act compliant product
		T	Threaded outlet (2",3",4")
		X	Inside caulk outlet
		-Z	Extended wide elastomeric flange

Job Name: _____ Page No: _____
 Section No: _____ Contractor: _____
 Schedule No: _____ Purchase Order No: _____