

Location: _____

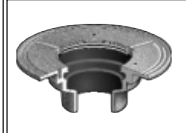
MIFAB® F1100-C-XS

SQUARE FLOOR DRAIN WITH HEAVY DUTY STRAINER FOR MEMBRANE FLOOR AREAS

Specification: MIFAB Series F1100-C-XS lacquered cast iron floor drain with anchor flange, cast iron membrane clamp ring with primary and secondary weepholes for waterproofing membrane, and standard heavy duty, (specify size), (specify material finish) square. (For non-membrane floors, use MIFAB F1100-XS Series.)

Function: Used in showers, kitchens, restrooms and other membrane finished areas where heavy wheeled loads are expected and a heavy duty rated strainer is required. Square adjustable strainer is used for floors that are finished of material or straight line patterns. Membrane clamp is provided to secure the waterproofing membrane.

PARTS:



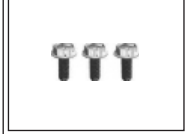
A1 BODY



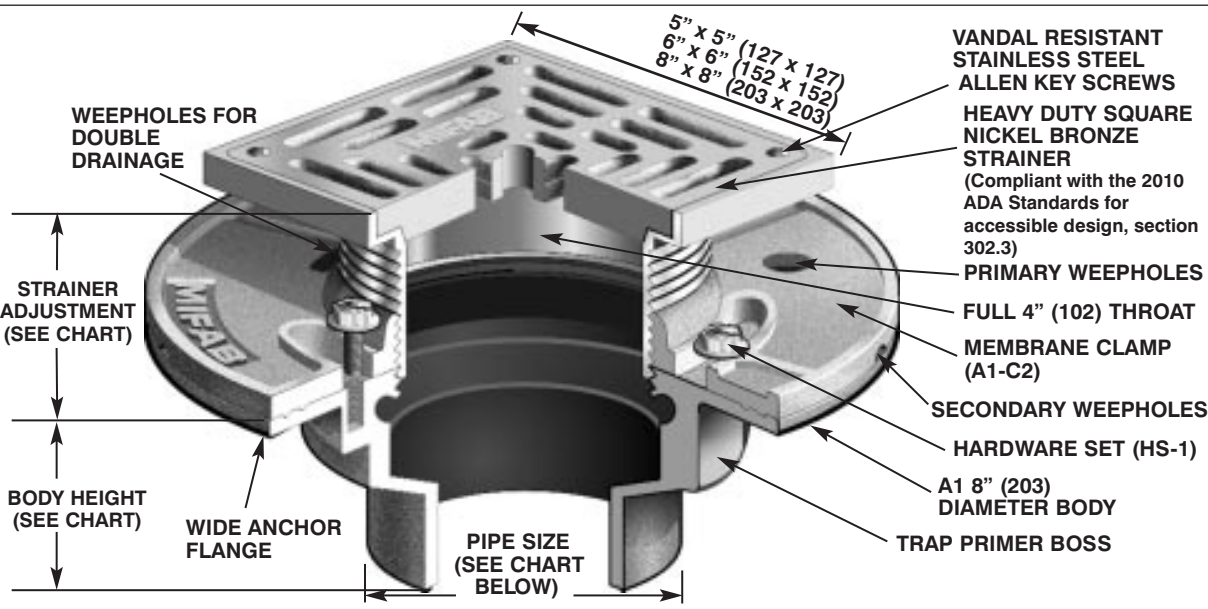
XS(*)(**) (*) Denotes Strainer Size (5"x5", 6"x6", 8"x8" or 10"x10") (**) Denotes Strainer Finish (-1, -3 or -4)



A1-C2



HS-1



Metric equivalents see chart below. (Dimension) Denotes Millimetres

F1100-C-XS Series meets ANSI-ASME floor drain standard A112.6.3-2001

STRAINER SIZE	STRAINER ADJUSTMENT		ANSI/ASME RATING			PIPE SIZE	BODY HEIGHT					
	MIN	MAX	FREE AREA	LOAD RATING			NO HUB (STANDARD)	PUSH ON (P)	THREADED (T)	INSIDE CAULK (X)	PVC/ABS (-30)/(-31)	
5" x 5" (127 x 127)	5/8" (15)	1 9/16" (40)	9 in ² (5800 ²)	UP TO 7,499 LBS.	5000-7499 LBS.	-	2" (51)	3" (76)	3 3/8" (86)	2 1/4" (57)	3 3/4" (95)	2 15/16" (75)
6" x 6" (152 x 152)	7/8" (22)	1 9/16" (40)	12 in ² (7700 ²)	UP TO 7,499 LBS.	5000-7499 LBS.	-	3" (76)	3" (76)	3 3/8" (86)	2 5/8" (67)	3 3/4" (95)	3 3/4" (95)
8" x 8" (203 x 203)	1 1/4" (32)	2 3/16" (56)	26 in ² (16800 ²)	UP TO 7,499 LBS.	5000-7499 LBS.	OVER 10,000 LBS.	4" (102)	3" (76)	3 3/8" (86)	2 5/8" (67)	3 3/4" (95)	3 3/4" (95)
10" x 10" (254 x 254)	1 1/4" (32)	2 3/16" (56)	28 in ² (19913 ²)	-	5000-7499 LBS.	-	5" (127)	3" (76)	-	2 5/8" (67)	3 3/4" (95)	-
							6" (152)	3 1/4" (83)	6 1/2" (165)	-	-	-

SUFFIX OPTIONAL VARIATIONS:

- 1 Nickel bronze strainer
- 3 Stainless steel strainer
- 4 Ductile iron grate (5" x 8" only)
- 5 Sediment bucket
- 6 Security screws (T-20 Torx & pin)
- 7 1/2" trap seal primer connection
- 8 Backwater valve (2", 3", 4")
- 11 Acid resistant epoxy coated body
- 13 Galvanized body
- 15 Extension
- 21 Secondary flat stainless steel strainer (2", 3", 4")
- 28 Stainless steel body (Type 304)
- 30 PVC socket connection body

SUFFIX

- 31 ABS socket connection body
- 34 Closure plug
- 40 Underdeck clamp
- 41 Sump receiver
- 49 Chrome Plated Strainer
- 50 Lacquered cast iron funnel
- 90 Threaded side outlet (2", 3", 4") (cast iron only)
- 90NH No hub side outlet (2", 3", 4") (cast iron only)
- 95 Client logo
- ARRA ARRA (Stimulus Act) compliant product
- BA Buy American Act compliant product

SUFFIX

- C1 Clamp ring for low rough-in (min. 1/2" (13))
- F4 4" Round funnel
- F6 6" Round funnel
- G Oval 4" x 9" funnel
- J 6" x 3" x 1" funnel
- (Standard) No hub outlet
- P Push on outlet
- PA Pennsylvania Steel
- T Act compliant product
- X Threaded outlet (2", 3", 4")
- Z Inside caulk outlet
- Extended wide elastomeric flange

Job Name: _____ Page No: _____
 Section No: _____ Contractor: _____
 Schedule No: _____ Purchase Order No: _____