

Location: _____

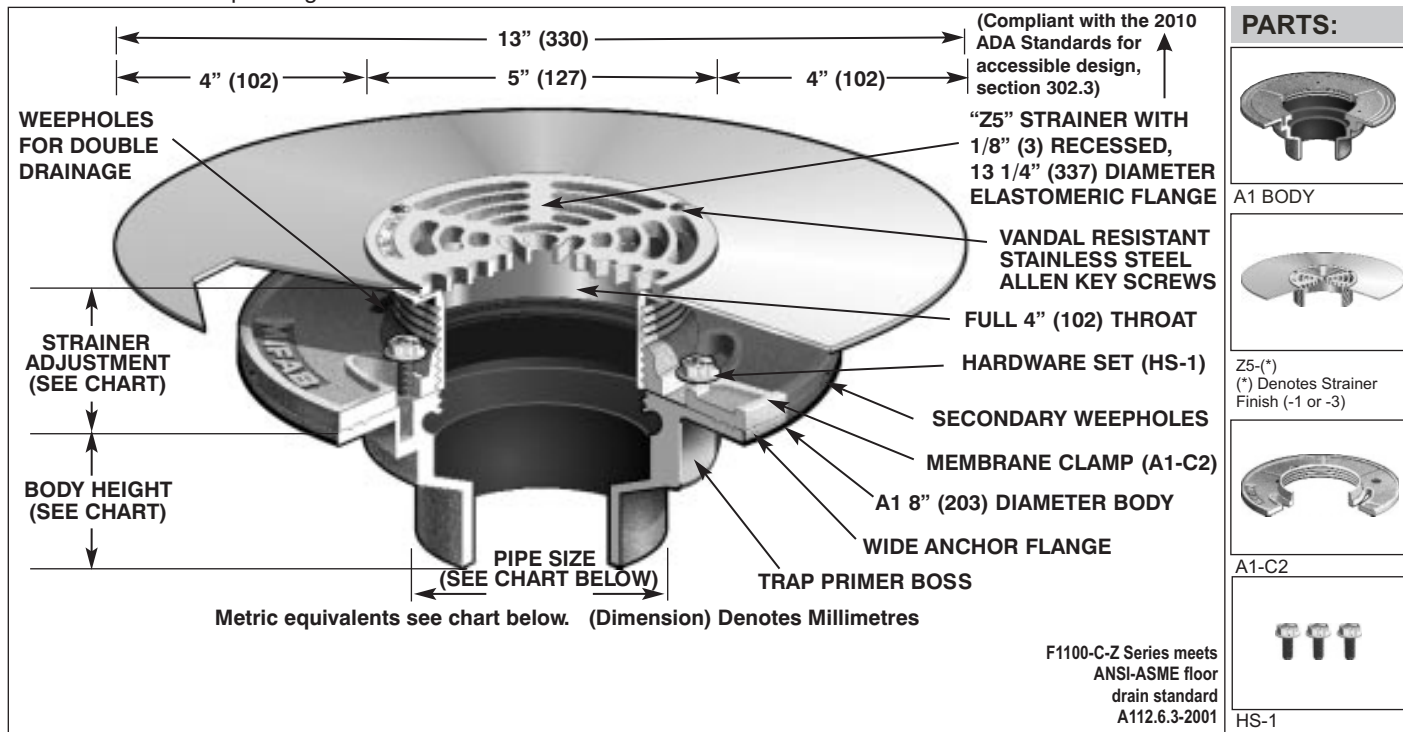


F1100-C-Z

FLOOR DRAIN WITH ELASTOMERIC FLANGE FOR MEMBRANE FLOOR AREAS

Specification: MIFAB Series F1100-C-Z lacquered cast iron floor drain with anchor flange and 1/8" (3) recessed, 13 1/4" (337) diameter elastomeric flange, cast iron membrane clamp ring with primary and secondary weepholes for waterproofing membrane, and standard reinforced 5" (102) diameter (specify material finish) strainer. (For non-membrane floors, use MIFAB F1100-X Series.)

Function: Used in showers, kitchens, restrooms and other membrane finished areas. Four inch wide cast iron anchor flange provides large surface area for traffic bearing deck covering. Integral flange is set 1/8" below grate. Membrane clamp is provided to secure the waterproofing membrane.



Metric equivalents see chart below. (Dimension) Denotes Millimetres

F1100-C-Z Series meets ANSI-ASME floor drain standard A112.6.3-2001

STRAINER SIZE	STRAINER ADJUSTMENT		ANSI/ASME RATING		PIPE SIZE	BODY HEIGHT					
	MIN	MAX	FREE AREA	LOAD RATING N.B. (-1) / S.S. (-3)		NO HUB (STANDARD)	PUSH ON (P)	THREADED (T)	INSIDE CAULK (X)	PVC/ABS (-30)/(-31)	
5" (127)	1/2" (13)	1 1/2" (38)	8 in ² (5200 ²)	UP TO 2,000 LBS.	5000-7499 LBS.	2" (51)	3" (76)	3 3/8" (86)	2 1/4" (57)	3 3/4" (95)	2 15/16" (75)
						3" (76)	3" (76)	3 3/8" (86)	2 5/8" (67)	3 3/4" (95)	3 3/4" (95)
						4" (102)	3" (76)	3 3/8" (86)	2 5/8" (67)	3 3/4" (95)	3 3/4" (95)
						5" (127)	3" (76)	—	2 5/8" (67)	3 3/4" (95)	—
						6" (152)	3 1/4" (83)	6 1/2" (165)	—	—	—

SUFFIX OPTIONAL VARIATIONS:

- 1 Nickel bronze strainer
- 3 Stainless steel strainer
- 5 Sediment bucket
- 6 Security screws (T-20 Torx & pin)
- 7 1/2" trap seal primer connection
- 8 Backwater valve (2", 3", 4")
- 11 Acid resistant epoxy coated body
- 13 Galvanized body
- 15 Extension
- 21 Secondary flat stainless steel strainer (2", 3", 4")
- 28 Stainless steel body (Type 304)
- 30 PVC socket connection body

SUFFIX

- 31 ABS socket connection body
- 34 Closure plug
- 40 Underdeck clamp
- 41 Sump receiver
- 90 Threaded side outlet (2", 3", 4") (cast iron only)
- 90NH No hub side outlet (2", 3", 4") (cast iron only)
- 95 Client logo
- ARRA ARRA (Stimulus Act) compliant product
- BA Buy American Act compliant product

SUFFIX

- C Membrane Clamp
- C1 Clamp ring for low rough-in (min. 1/2" (13))
- F4 4" Round funnel
- F6 6" Round funnel
- G Oval 4" x 9" funnel
- J 6" x 3" x 1" funnel
- (Standard) No hub outlet
- P Push on outlet
- PA Pennsylvania Steel Act compliant product
- T Threaded outlet (2", 3", 4")
- X Inside caulk outlet
- Z Extended wide elastomeric flange

Job Name: _____ Page No: _____
 Section No: _____ Contractor: _____
 Schedule No: _____ Purchase Order No: _____