

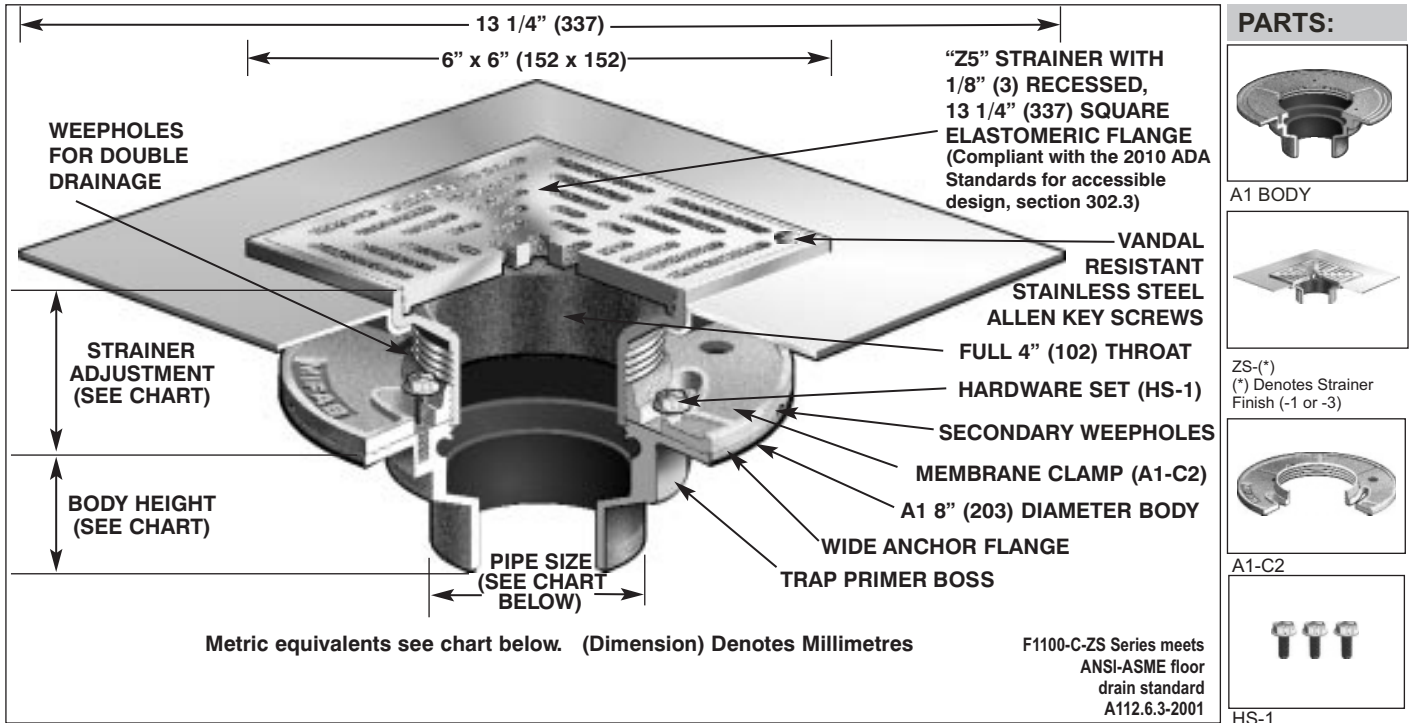
Location: _____

MIFAB® F1100-C-ZS

FLOOR DRAIN WITH SQUARE STRAINER AND ELASTOMERIC FLANGE FOR MEMBRANE FLOOR AREAS

Specification: MIFAB Series F1100-C-ZS lacquered cast iron floor drain with anchor flange and 1/8" (3) recessed, 13 1/4" (337) square elastomeric flange, cast iron membrane clamp ring with primary and secondary weepholes for waterproofing membrane, and standard reinforced 6" x 6" (152 x 152) square strainer. (For non-membrane floors, use MIFAB F1100-ZS Series.)

Function: Used in showers, kitchens, restrooms and other membrane finished areas. Wide cast iron anchor flange provides large surface area for traffic bearing deck covering. Integral flange is set 1/8" below grate. Square adjustable strainer is used for floors that are finished of material or straight line patterns. Membrane clamp is provided to secure the waterproofing membrane.



| STRAINER SIZE | STRAINER ADJUSTMENT | | ANSI/ASME RATING | | PIPE SIZE | BODY HEIGHT | | | | | |
|-------------------|---------------------|--------------|--|--------------------------------------|-------------------|-------------------|-------------|--------------|------------------|---------------------|---------------|
| | MIN | MAX | FREE AREA | LOAD RATING N.B. (-1) / S.S. (-3) | | NO HUB (STANDARD) | PUSH ON (P) | THREADED (T) | INSIDE CAULK (X) | PVC/ABS (-30)/(-31) | |
| 6" (152 x 152) | 7/8" (22) | 1 9/16" (40) | 12 in ² (7700 ²) | UP TO 2,000 LBS. | 5000-7499 LBS. | 2" (51) | 3" (76) | 3 3/8" (86) | 2 1/4" (57) | 3 3/4" (95) | 2 15/16" (75) |
| | | | | | | 3" (76) | 3" (76) | 3 3/8" (86) | 2 5/8" (67) | 3 3/4" (95) | 3 3/4" (95) |
| | | | | | | 4" (102) | 3" (76) | 3 3/8" (86) | 2 5/8" (67) | 3 3/4" (95) | 3 3/4" (95) |
| | | | | | | 5" (127) | 3" (76) | — | 2 5/8" (67) | 3 3/4" (95) | — |
| | | | | | | 6" (152) | 3 1/4" (83) | 6 1/2" (165) | — | — | — |

SUFFIX OPTIONAL VARIATIONS:

- 1 Nickel bronze strainer
- 3 Stainless steel strainer
- 5 Sediment bucket
- 6 Security screws (T-20 Torx & pin)
- 7 1/2" trap seal primer connection
- 8 Backwater valve (2", 3", 4")
- 11 Acid resistant epoxy coated body
- 13 Galvanized body
- 15 Extension
- 21 Secondary flat stainless steel strainer (2", 3", 4")
- 28 Stainless steel body (Type 304)
- 30 PVC socket connection body

SUFFIX

- 31 ABS socket connection body
- 34 Closure plug
- 40 Underdeck clamp
- 41 Sump receiver
- 90 Threaded side outlet (2", 3", 4") (cast iron only)
- 90NH No hub side outlet (2", 3", 4") (cast iron only)
- 95 Client logo
- ARRA ARRA (Stimulus Act) compliant product
- BA Buy American Act compliant product

SUFFIX

- C1 Clamp ring for low rough-in (min. 1/2" (13))
- F4 4" Round funnel
- F6 6" Round funnel
- G Oval 4" x 9" funnel
- J 6" x 3" x 1" funnel
- (Standard) No hub outlet
- P Push on outlet
- PA Pennsylvania Steel Act compliant product
- T Threaded outlet (2", 3", 4")
- X Inside caulk outlet
- Z Extended wide elastomeric flange

Job Name: _____ Page No: _____
 Section No: _____ Contractor: _____
 Schedule No: _____ Purchase Order No: _____