

Location: _____

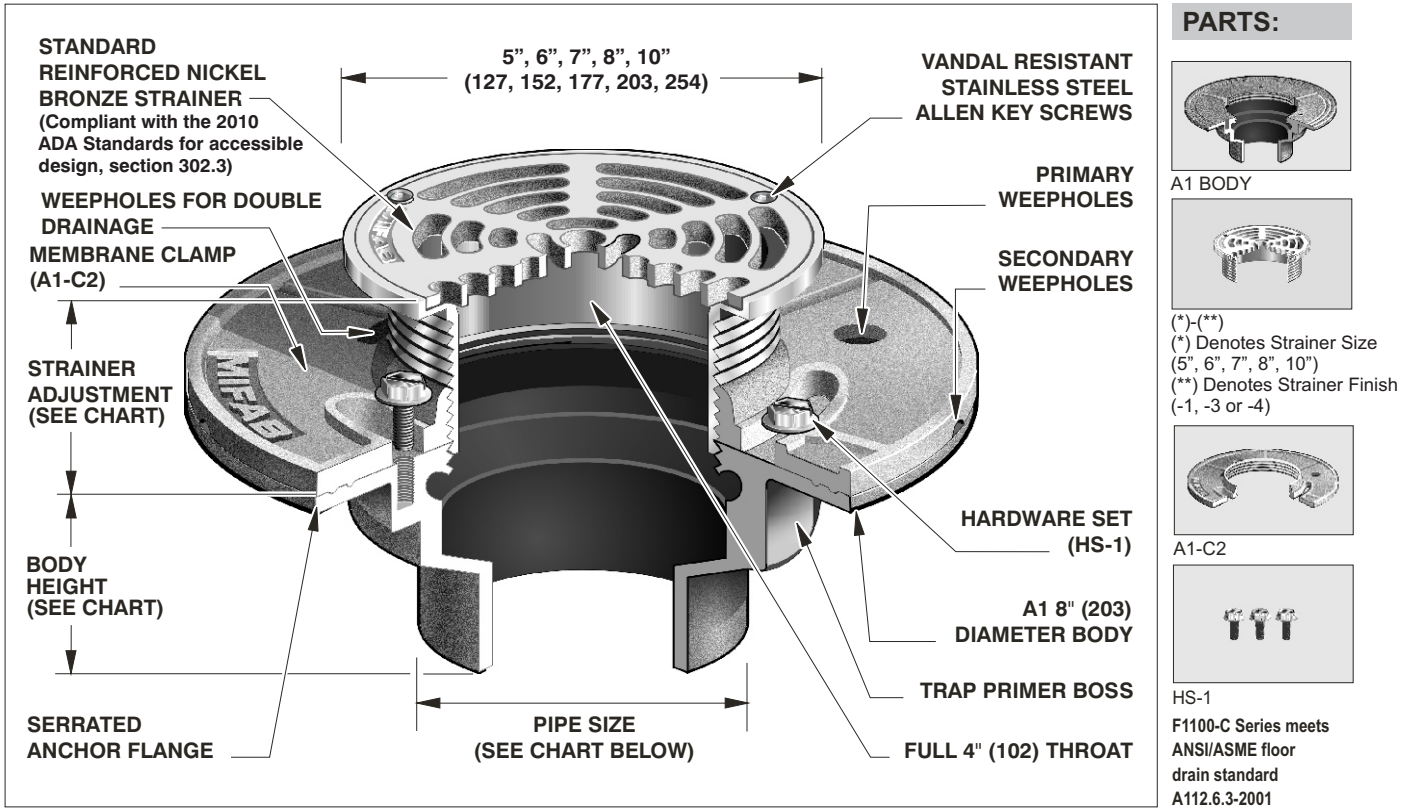


F1100-C

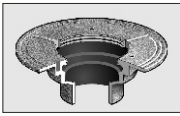
FLOOR DRAIN FOR MEMBRANE FLOOR AREAS

Specification: MIFAB® Series F1100-C (*)-1 (* specify strainer diameter) lacquered cast iron floor drain with anchor flange, cast iron membrane clamp ring with primary and secondary weepholes for waterproofing membrane, and standard satin finished nickel bronze strainer with vandal resistant stainless steel all on key screws (For non-membrane floors, delete -C from Series number).

Function: Used in showers, kitchens, restrooms, and other membrane finished areas. Round adjustable strainer is used for all types of poured finished floors.



PARTS:



A1 BODY



A1-C2

(*)-(**)
 (*) Denotes Strainer Size (5", 6", 7", 8", 10")
 (**) Denotes Strainer Finish (-1, -3 or -4)



HS-1



A1 8" (203) DIAMETER BODY
 HS-1
 F1100-C Series meets ANSI/ASME floor drain standard A112.6.3-2001

STRAINER DIAMETER	STRAINER ADJUSTMENT		ANSI/ASME RATING		PIPE SIZE	BODY HEIGHT				
	MIN	MAX	FREE AREA	LOAD RATING N.B. (-1) D.I. (-4)		NO HUB (STANDARD)	PUSH ON (P)	THREADED (T)	INSIDE CAULK (X)	PVC/ABS (-30)/(-31)
5" (127)	1 9/16" (40)	2 11/16" (68)	8 in ² (5200 ²)	UP TO 2000 LBS. 5000 TO 7499 LBS.	2" (51)	3" (76)	3 3/8" (86)	2 1/4" (57)	3 3/4" (95)	2 15/16" (75)
6" (152)	1 11/16" (43)	2 5/8" (67)	9 in ² (5800 ²)	UP TO 2000 LBS. 5000 TO 7499 LBS.	3" (76)	3" (76)	3 3/8" (86)	2 5/8" (67)	3 3/4" (95)	3 3/4" (95)
7" (177)	1 1/2" (38)	2 5/8" (67)	12 in ² (7700 ²)	UP TO 2000 LBS. 5000 TO 7499 LBS.	4" (102)	3" (76)	3 3/8" (86)	2 5/8" (67)	3 3/4" (95)	3 3/4" (95)
8" (203)	1 7/8" (48)	2 3/4" (70)	18 in ² (11600 ²)	UP TO 2000 LBS. OVER 10000 LBS.	5" (127)	3" (76)	—	2 5/8" (67)	3 3/4" (95)	—
10" (254)	1 7/8" (48)	2 3/4" (70)	26 in ² (17170 ²)	UP TO 2000 LBS. —	6" (152)	3 1/4" (83)	6 1/2" (165)	—	—	—

SUFFIX	OPTIONAL VARIATIONS:	SUFFIX	SUFFIX
-1	Nickel bronze strainer (standard)	-30	PVC socket connection body
-2	Polished brass strainer (5" only)	-31	ABS socket connection body
-3	Stainless steel strainer	-34	Closure plug
-4	Ductile iron strainer (5", 8" only)	-40	Underdeck clamp
-5	Sediment bucket	-41	Sump receiver
-6	Security screws (T-20 Torx & pin)	-49	Chrome plated strainer
-7	1/2" trap seal primer connection	-50	Lacquered cast iron funnel
-8	Backwater valve (2", 3", 4")	-90	Threaded side outlet (2", 3", 4")
-11	Acid resistant epoxy coated body	-90NH	No hub side outlet (2", 3", 4")
-13	Galvanized	-95	Client logo
-15	Extension	-ARRA	ARRA (Stimulus Act) compliant product
-21	Secondary flat stainless steel strainer (2", 3", 4")	-C1	Clamp ring for low rough-in (min. 1/2" (13))
-28	Stainless steel body (Type 304)	-BA	Buy American Act compliant product
			-F4 4" Round funnel
			-F6 6" Round funnel
			-G Oval 4" x 9" funnel
			-HP Heel proof grate (1/4" maximum grate opening size, -3 only)
			-J 3" x 1" funnel
			(Standard) No hub outlet
			P Push on outlet
			-PA Pennsylvania Steel
			T Act compliant product
			X Threaded outlet (2", 3", 4")
			-Z Inside caulk outlet
			Extended wide elastomeric flange

Job Name: _____ Page No: _____
 Section No: _____ Contractor: _____
 Schedule No: _____ Purchase Order No: _____

MIFAB reserves the right to make changes in material and design without formal notice and obligation.