

Location: _____

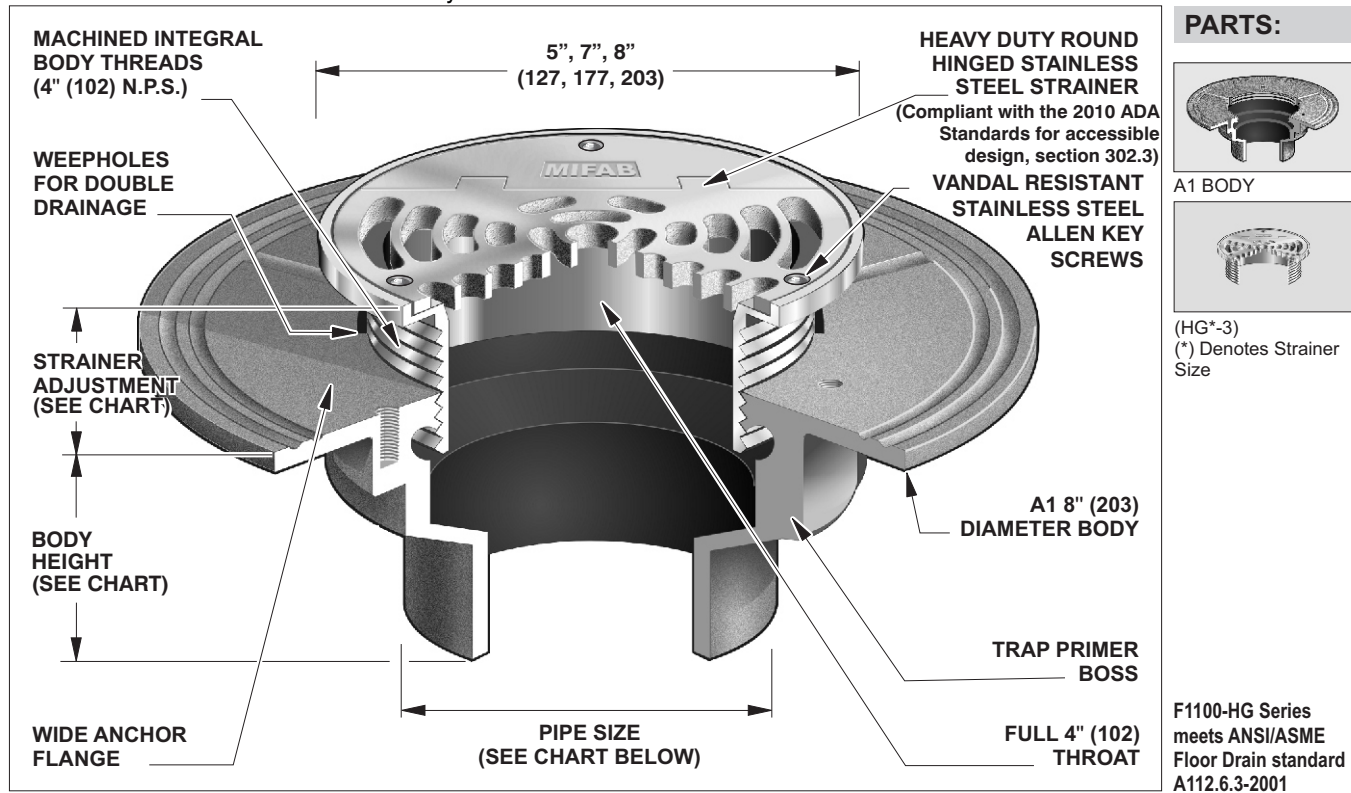


F1100-HG

FLOOR DRAIN WITH ROUND HINGED STRAINER FOR NON-MEMBRANE FLOOR AREAS

Specification: MIFAB® Series F1100-(*)HG-3 (* specify strainer diameter) lacquered cast iron floor drain with anchor flange, weepholes, and hinged heavy duty, polished stainless steel strainer with vandal resistant stainless steel allen key screws. (For membrane floors, add -C to Series number).

Function: Used in showers, kitchens, restrooms and other non-membrane finished areas. Hinged grate ensures that grate is not lost during maintenance. Round adjustable stainless steel hinged strainer is used for all types of poured finished floors. Strainer will not dish or corrode and is foot friendly.



STRAINER DIAMETER	STRAINER ADJUSTMENT		ANSI/ASME RATING		PIPE SIZE	BODY HEIGHT				
	MIN	MAX	FREE AREA	LOAD RATING LBS. S.S. (-3)		NO HUB (STANDARD)	PUSH ON (P)	THREADED (T)	INSIDE CAULK (X)	PVC/ABS (-30)/(-31)
5" (127)	1/2" (13)	1 1/2" (38)	8in ² (5200 ²)	5000 to 7499	2" (51)	3" (76)	3 3/8" (86)	2 1/4" (57)	3 3/4" (95)	2 15/16" (75)
7" (177)	9/16" (14)	1 9/16" (40)	12in ² (7700 ²)	5000 to 7499	3" (76)	3" (76)	3 3/8" (86)	2 5/8" (67)	3 3/4" (95)	3 3/4" (95)
8" (203)	11/16" (40)	2 1/4" (57)	18in ² (11600 ²)	5000 to 7499	4" (102)	3" (76)	3 3/8" (86)	2 5/8" (67)	3 3/4" (95)	3 3/4" (95)
					5" (127)	3" (76)	—	2 5/8" (67)	3 3/4" (95)	—
					6" (152)	3 1/4" (83)	6 1/2" (165)	—	—	—

SUFFIX	OPTIONAL VARIATIONS:	SUFFIX		SUFFIX	
-3	Stainless steel strainer (standard)	-31	ABS socket connection body	-C	Membrane clamp
-5	Sediment bucket	-34	Closure plug	-C1	Clamp ring for low rough-in (min. 5/8" (15))
-6	Security screws (T-20 Torx & pin)	-40	Under deck clamp	-F4	4" Round funnel
-7	1/2" trap seal primer connection	-41	Sump receiver	-F6	6" Round funnel
-8	Backwater valve (2", 3", 4")	-49	Chrome plated strainer assembly	-G	Oval 4" x 9" funnel
-11	Acid resistant epoxy coated body	-90	Threaded side outlet (2", 3", 4") (cast iron only)	-J	3" x 1" funnel
-13	Galvanized body	-90NH	No hub side outlet (2", 3", 4") (cast iron only)	(Standard)	No hub outlet
-15	Extension	-95	Client logo	P	Push on outlet
-21	Secondary flat stainless steel strainer	-ARRA	ARRA (Stimulus Act) compliant product	-PA	Pennsylvania Steel Act compliant product
-28	Stainless steel body (Type 304)	-BA	Buy American Act compliant product	T	Threaded outlet
-30	PVC socket connection body			X	Inside caulk outlet
				-Z	Extended wide elastomeric flange

Job Name: _____ Page No: _____
 Section No: _____ Contractor: _____
 Schedule No: _____ Purchase Order No: _____