

Location: _____

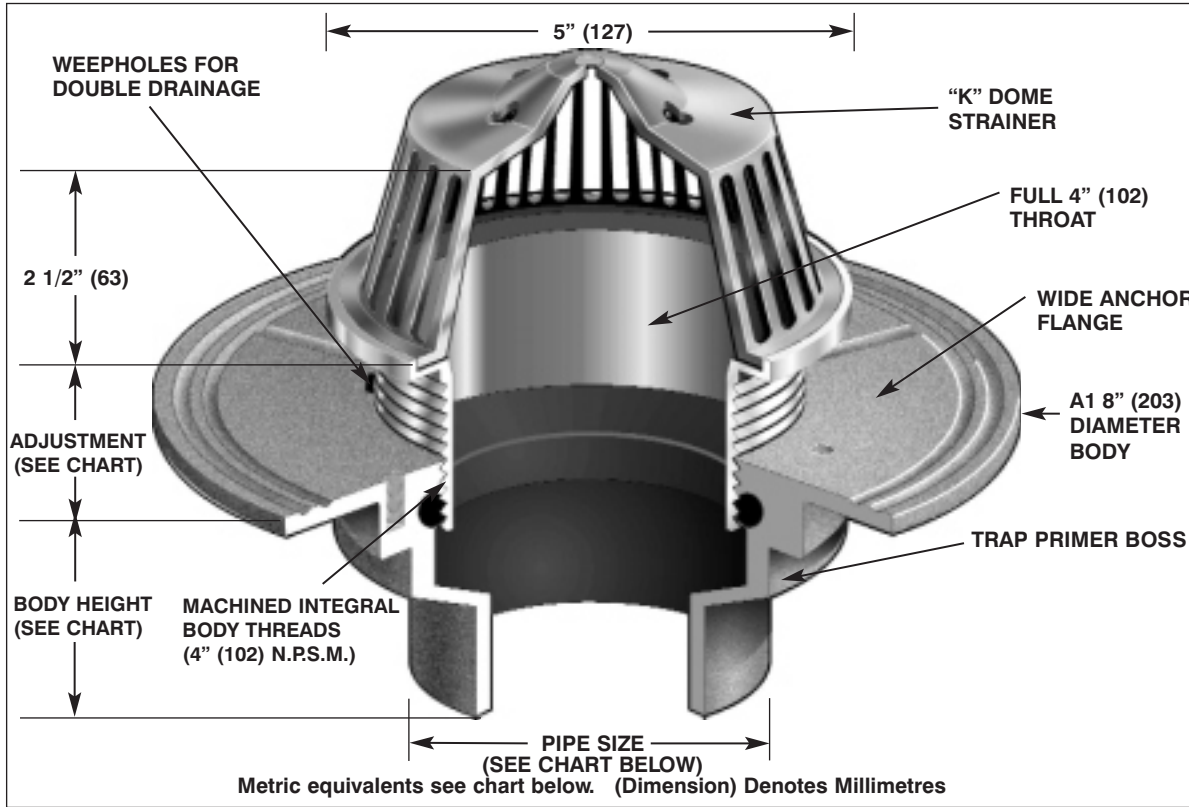


F1100-K


FLOOR DRAIN WITH DOME STRAINER FOR NON-MEMBRANE FLOOR AREAS

Specification: MIFAB Series F1100-K-1 lacquered cast iron floor drain with anchor flange, weepholes, and "K" dome (specify material type) strainer. (For membrane floors, use MIFAB F1100-C-K Series.)


Function: Used in recessed areas and gutters and other non-membrane finished areas where debris build up occurs. The dome strainer provides drainage even when partly covered.



PARTS:



A1 BODY



K-(*)
(*) Denotes Strainer Finish (-1 or -3)

F1100-K Series meets ANSI-ASME floor drain standard A112.6.3-2001

STRAINER DIAMETER	STRAINER ADJUSTMENT		ANSI/ASME RATING FREE AREA	PIPE SIZE	BODY HEIGHT				
	MIN	MAX			NO HUB (STANDARD)	PUSH ON (P)	THREADED (T)	INSIDE CAULK (X)	PVC/ABS (-30)/(-31)
5" (127)	1/2" (13)	1 1/2" (38)	15 in ² (9,677 ²)	2" (51)	3" (76)	3 3/8" (86)	2 1/4" (57)	3 3/4" (95)	2 15/16" (75)
				3" (76)	3" (76)	3 3/8" (86)	2 5/8" (67)	3 3/4" (95)	3 3/4" (95)
				4" (102)	3" (76)	3 3/8" (86)	2 5/8" (67)	3 3/4" (95)	3 3/4" (95)
				5" (127)	3" (76)	—	2 5/8" (67)	3 3/4" (95)	—
				6" (152)	3 1/4" (83)	6 1/2" (165)	—	—	—

SUFFIX	OPTIONAL VARIATIONS:	SUFFIX		SUFFIX	
-1	Nickel bronze strainer	-34	Closure plug	-C1	Clamp ring for low rough-in (min. 1/2" (13))
-3	Stainless steel strainer	-40	Underdeck clamp	(Standard)	No hub outlet
-5	Sediment bucket	-41	Sump receiver	P	Push on outlet
-6	Security screws (T-20 Torx & pin)	-50	Lacquered cast iron dome	-PA	Pennsylvania Steel
-7	1/2" trap seal primer connection	-83	Stainless steel mesh screen over dome	T	Act compliant product
-8	Backwater valve (2", 3", 4")	-90	Threaded side outlet (2", 3", 4") (cast iron only)	X	Threaded outlet (2", 3", 4")
-11	Acid resistant epoxy coated body	-90NH	No hub side outlet (2", 3", 4") (cast iron only)	-Z	Inside caulk outlet
-13	Galvanized body	-ARRA	ARRA (Stimulus Act) compliant product		Extended wide elastomeric flange
-15	Extension	-BA	Buy American Act compliant product		
-21	Secondary flat stainless steel strainer (2", 3", 4")	-C	Membrane Clamp		
-28	Stainless steel body (Type 304)				
-30	PVC socket connection body				
-31	ABS socket connection body				

Job Name: _____ Page No: _____
 Section No: _____ Contractor: _____
 Schedule No: _____ Purchase Order No: _____