

Location: _____

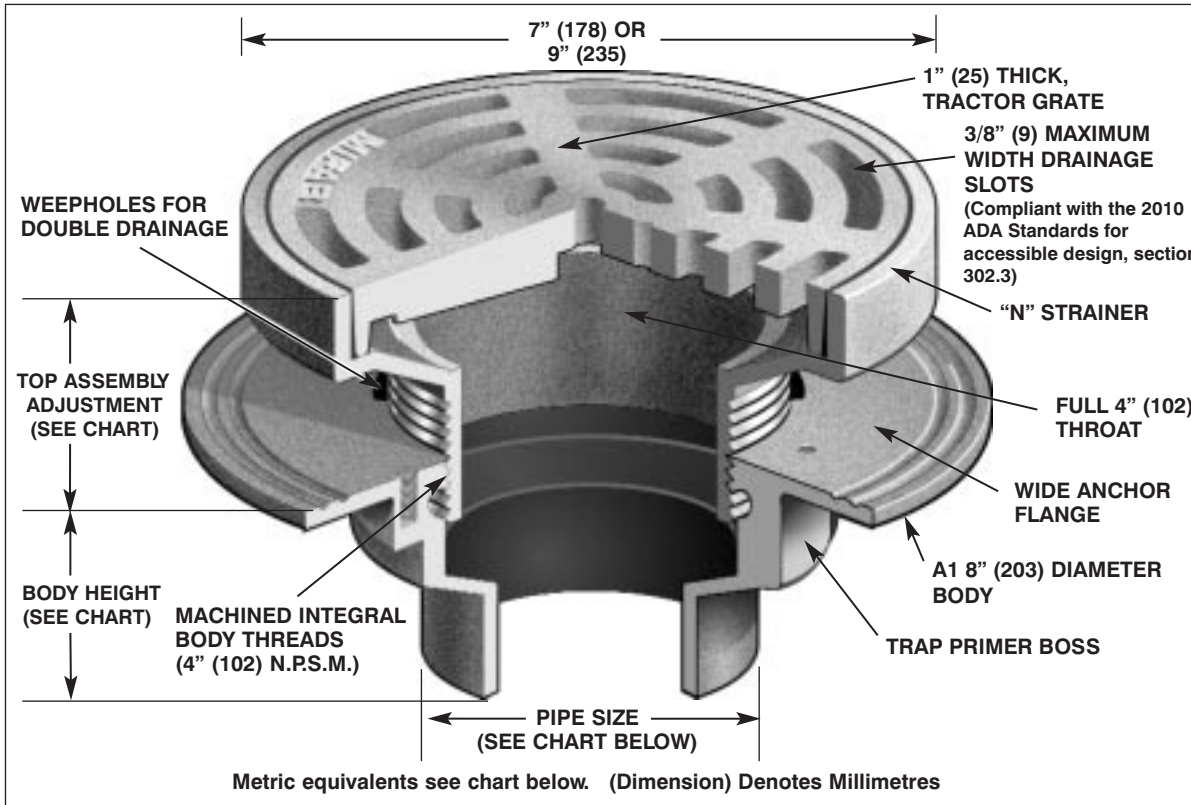


**F1100-N7/
F1100-N9**

**FLOOR DRAIN WITH 7" OR 9"
TRACTOR GRATE FOR
NON-MEMBRANE FLOOR AREAS**

Specification: MIFAB Series F1100-N lacquered cast iron floor drain with anchor flange, weepholes, and 7" (178) or 9" (235) (specify N7 or N9) (specify material finish) tractor grate. (For membrane floors, use MIFAB F1100-C-N Series.)

Function: Used in restaurants, hospitals, industrial laboratories, and other non-membrane finished areas where heavy wheeled loads are expected and loose set, non tilt tractor grate is needed.



PARTS:

A1 BODY

N(*)-(**) (* Denotes Strainer Size, 7" or 9" (** Denotes Strainer Finish (-1, -3 or -4)

F1100-N Series meets ANSI-ASME floor drain standard A112.6.3-2001

STRAINER DIAMETER	STRAINER ADJUSTMENT		ANSI/ASME RATING		PIPE SIZE	BODY HEIGHT				
	MIN	MAX	FREE AREA	LOAD RATING		NO HUB (STANDARD)	PUSH ON (P)	THREADED (T)	INSIDE CAULK (X)	PVC/ABS (-30)/(-31)
7" (178)	1 5/8" (41)	2 5/8" (67)	11.00 in ² (7096 ²)	ANSI/ASME LOAD CLASS "SPECIAL DUTY" (OVER 10,000 LBS)	2" (51)	3" (76)	3 3/8" (86)	2 1/4" (57)	3 3/4" (95)	2 15/16" (75)
					3" (76)	3" (76)	3 3/8" (86)	2 5/8" (67)	3 3/4" (95)	3 3/4" (95)
9" (235)	1 5/8" (41)	2 5/8" (67)	18 in ² (11,613 ²)	ANSI/ASME LOAD CLASS "SPECIAL DUTY" (OVER 10,000 LBS)	4" (102)	3" (76)	3 3/8" (86)	2 5/8" (67)	3 3/4" (95)	3 3/4" (95)
					5" (127)	3" (76)	—	2 5/8" (67)	3 3/4" (95)	—
					6" (152)	3 1/4" (83)	6 1/2" (165)	—	—	—
					—	—	—	—	—	—

- | | | |
|---|---|---|
| <p>SUFFIX</p> <ul style="list-style-type: none"> -1 Nickel bronze strainer -3 Stainless steel strainer (vener for 9") -4 Ductile iron strainer assembly -5 Sediment bucket -6 Security screws (T-20 Torx & pin) -7 1/2" trap seal primer connection -8 Backwater valve (2",3",4") -11 Acid resistant epoxy coated body -12 Galvanized top assembly -13 Galvanized body -15 Extension -21 Secondary flat stainless steel strainer (2", 3", 4") -28 Stainless steel body (Type 304) | <p>SUFFIX</p> <ul style="list-style-type: none"> -30 PVC socket connection body -31 ABS socket connection body -34 Closure plug -40 Underdeck clamp -41 Sump receiver -50 Lacquered cast iron dome -90 Threaded side outlet (2",3",4") (cast iron only) -90NH No hub side outlet (2", 3", 4") (cast iron only) -ARRA ARRA (Stimulus Act) compliant product -BA Buy American Act compliant product -C Membrane Clamp | <p>SUFFIX</p> <ul style="list-style-type: none"> -C1 Clamp ring for low rough-in (min. 1/2" (13)) -F4 4" Round funnel -F6 6" Round funnel -G Oval 4" x 9" funnel -J 6" x 3" x 1" funnel (Standard) No hub outlet P Push on outlet -PA Pennsylvania Steel Act compliant product T Threaded outlet (2",3",4") X Inside caulk outlet -Z Extended wide elastomeric flange |
|---|---|---|

Job Name: _____ Page No: _____
 Section No: _____ Contractor: _____
 Schedule No: _____ Purchase Order No: _____