

Location: \_\_\_\_\_

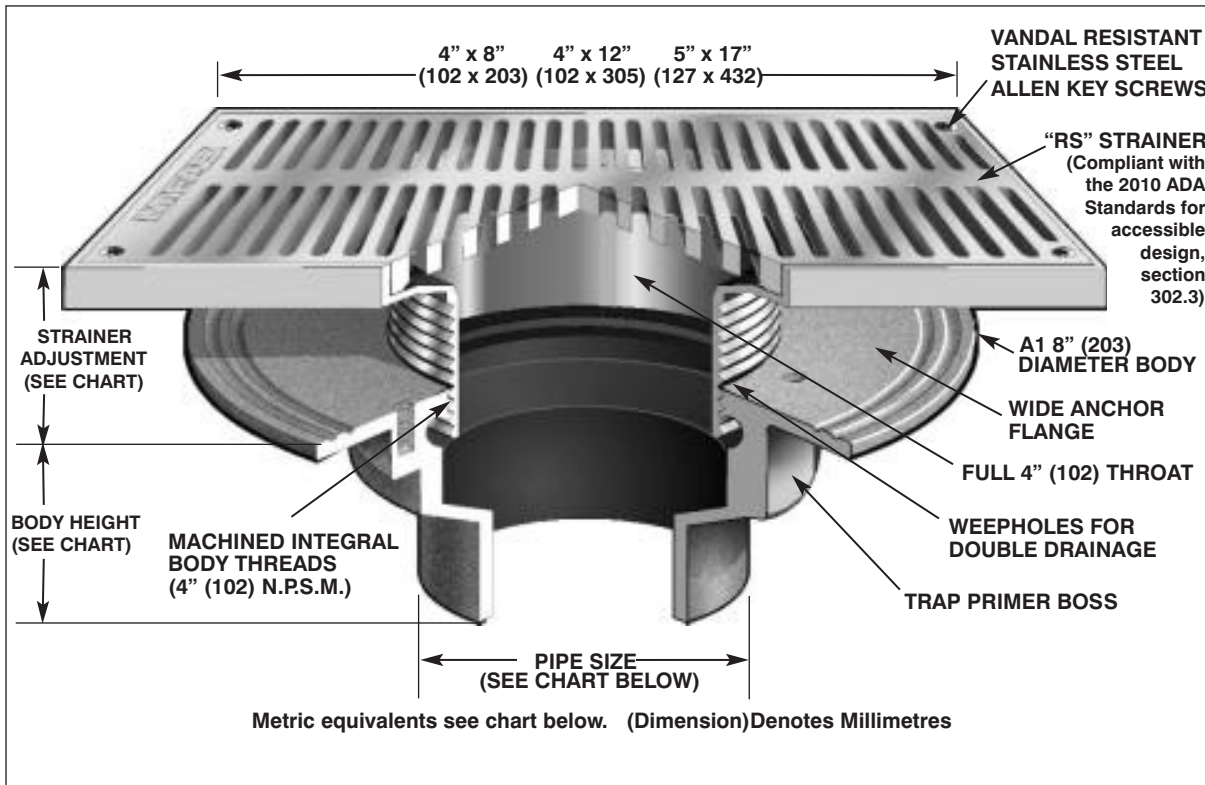


# F1100-RS

## FLOOR DRAIN WITH RECTANGULAR STRAINER FOR NON-MEMBRANE FLOORS

**Specification:** MIFAB Series F1100-RS lacquered cast iron floor drain with anchor flange, weepholes, and "RS" (specify size) rectangular (specify material finish) strainer. (For membrane floors, use MIFAB F1100-C-RS Series.) Please note 5"x17" sized strainer available in stainless steel only.

**Function:** Used in showers, gutters and other non-membrane finished areas where a large grate free area is required and limited width is available.



RS(\*)-(\*\*)  
(\*) Denotes Strainer Size (4"x8", 4"x12" or 5"x17")  
(\*\*) Denotes Strainer Finish (-1 or -3) (-3 only for 5"x17")

F1100-RS Series meets ANSI-ASME floor drain standard A112.6.3-2001

STRAINER SIZE	STRAINER ADJUSTMENT		ANSI/ASME RATING		PIPE SIZE	BODY HEIGHT					
	MIN	MAX	FREE AREA	LOAD RATING N.B. (-1) / S.S. (-3)		NO HUB (STANDARD)	PUSH ON (P)	THREADED (T)	INSIDE CAULK (X)	PVC/ABS (-30)/(-31)	
4" x 8" (102 x 203)	1 1/2" (38)	2 5/8" (66)	11.0 in <sup>2</sup> (7096 <sup>2</sup> )	UP TO 2,000 LBS.	5000-7499 LBS.	2" (51)	3" (76)	3 3/8" (86)	2 1/4" (57)	3 3/4" (95)	2 15/16" (75)
4" x 12" (102 x 305)	1 1/2" (38)	2 5/8" (66)	15 in <sup>2</sup> (9677 <sup>2</sup> )	UP TO 2,000 LBS.	5000-7499 LBS.	3" (76)	3" (76)	3 3/8" (86)	2 5/8" (67)	3 3/4" (95)	3 3/4" (95)
5" x 17" (127 x 432)	1 1/2" (38)	2 5/8" (66)	18 in <sup>2</sup> (11610 <sup>2</sup> )	N/A	5000-7499 LBS.	4" (102)	3" (76)	3 3/8" (86)	2 5/8" (67)	3 3/4" (95)	3 3/4" (95)
						5" (127)	3" (76)	—	2 5/8" (67)	3 3/4" (95)	—
						6" (152)	3 1/4" (83)	6 1/2" (165)	—	—	—

- |               |  |               |  |               |  |
|---------------|--|---------------|--|---------------|--|
| <b>SUFFIX</b> | <b>OPTIONAL VARIATIONS:</b>                          | <b>SUFFIX</b> |  | <b>SUFFIX</b> |  |
| -1            | Nickel bronze strainer                               | -34           | Closure plug                                       | -C1           | Clamp ring for low rough-in (min. 1/2" (13)) |
| -3            | Stainless steel strainer                             | -40           | Underdeck clamp                                    | -F4           | 4" Round funnel                              |
| -5            | Sediment bucket                                      | -41           | Sump receiver                                      | -F6           | 6" Round funnel                              |
| -6            | Security screws (T-20 Torx & pin)                    | -90           | Threaded side outlet (2", 3", 4") (cast iron only) | (Standard)    | No hub outlet                                |
| -7            | 1/2" trap seal primer connection                     | -90NH         | No hub side outlet (2", 3", 4") (cast iron only)   | -G            | Oval 4" x 9" funnel                          |
| -8            | Backwater valve (2", 3", 4")                         | -95           | Client logo  | -J            | 6" x 3" x 1" funnel                          |
| -11           | Acid resistant epoxy coated body                     | -ARRA         | ARRA (Stimulus Act) compliant product              | P             | Push on outlet                               |
| -13           | Galvanized body                                      | -BA           | Buy American Act compliant product                 | -PA           | Pennsylvania Steel Act compliant product     |
| -15           | Extension  | -C            | Membrane Clamp                                     | T             | Threaded outlet (2", 3", 4")                 |
| -21           | Secondary flat stainless steel strainer (2", 3", 4") |               |  | X             | Inside caulk outlet                          |
| -28           | Stainless steel body (Type 304)                      |               |  | -Z            | Extended wide elastomeric flange             |
| -30           | PVC socket connection body                           |               |  |               |  |
| -31           | ABS socket connection body                           |               |  |               |  |

Job Name: \_\_\_\_\_ Page No: \_\_\_\_\_  
 Section No: \_\_\_\_\_ Contractor: \_\_\_\_\_  
 Schedule No: \_\_\_\_\_ Purchase Order No: \_\_\_\_\_