

Location: \_\_\_\_\_

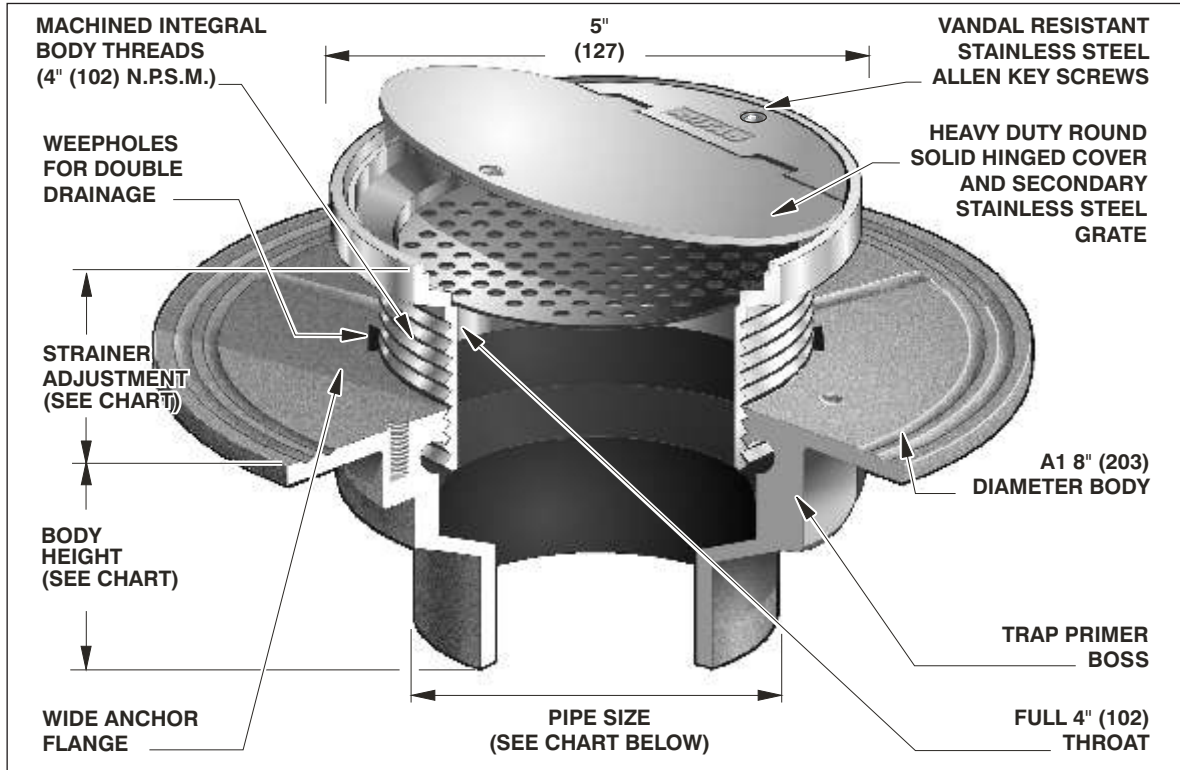


# F1100-VD

## FLOOR DRAIN WITH SOLID HINGED ROUND COVER AND SECONDARY GRATE FOR NON-MEMBRANE FLOOR AREAS

**Specification:** MIFAB Series F1100-VD5-3 lacquered cast iron floor drain with anchor flange, weepholes, and stainless steel solid cover with secondary grate to prevent entry of debris. (For membrane floors, use MIFAB F1100-C-VD Series.)

**Function:** Used in non-membrane finished areas where irregular drain use is required. Stainless steel solid cover prevents entry of debris which is brushed away before cover is opened for hosedown. The stainless steel secondary strainer prevents debris from entering the drain. Used for all types of poured finished floors.



F1100-VD Series meets ANSI-ASME floor drain standard A112.6.3-2001

STRAINER SIZE	STRAINER ADJUSTMENT		ANSI/ASME RATING		PIPE SIZE	BODY HEIGHT				
	MIN	MAX	FREE AREA	LOAD RATING S.S. (-3)		NO HUB (STANDARD)	PUSH ON (P)	THREADED (T)	INSIDE CAULK (X)	PVC/ABS (-30)/(-31)
5" (127)	1/2" (13)	1 1/2" (38)	8 in <sup>2</sup> (5200 <sup>2</sup> )	5000-7499 LBS.	2" (51)	3" (76)	3 3/8" (86)	2 1/4" (57)	3 3/4" (95)	2 15/16" (75)
					3" (76)	3" (76)	3 3/8" (86)	2 5/8" (67)	3 3/4" (95)	3 3/4" (95)
					4" (102)	3" (76)	3 3/8" (86)	2 5/8" (67)	3 3/4" (95)	3 3/4" (95)
					5" (127)	3" (76)	—	2 5/8" (67)	3 3/4" (95)	—
					6" (152)	3 1/4" (83)	6 1/2" (165)	—	—	—

- SUFFIX**      **OPTIONAL VARIATIONS:**
- 3 Stainless steel strainer (standard)
  - 5 Sediment bucket
  - 6 Security screws (T-20 Torx & pin)
  - 7 1/2" trap seal primer connection
  - 8 Backwater valve (2", 3", 4")
  - 10 Decorative polished top
  - 11 Acid resistant epoxy coated body
  - 13 Galvanized body
  - 15 Extension
  - 21 Secondary flat stainless steel strainer (2", 3", 4")
  - 28 Stainless steel body (Type 304)
  - 30 PVC socket connection body

- SUFFIX**
- 31 ABS socket connection body
  - 34 Closure plug
  - 40 Underdeck clamp
  - 41 Sump receiver
  - 49 Chrome Plated Strainer Assembly
  - 90 Threaded side outlet (2", 3", 4") (cast iron only)
  - 90NH No hub side outlet (2", 3", 4") (cast iron only)
  - 95 Client logo
  - ARRA ARRA (Stimulus Act) compliant product
  - BA Buy American Act compliant product
  - C Membrane Clamp

- SUFFIX**
- C1 Clamp ring for low rough-in (min. 1/2" (13))
  - F4 4" Round funnel
  - F6 6" Round funnel
  - G Oval 4" x 9" funnel
  - J 6" x 3" x 1" funnel
  - (Standard) No hub outlet
  - P Push on outlet
  - PA Pennsylvania Steel
  - T Act compliant product
  - X Threaded outlet (2", 3", 4")
  - Z Inside caulk outlet
  - Extended wide elastomeric flange

Job Name: \_\_\_\_\_ Page No: \_\_\_\_\_  
 Section No: \_\_\_\_\_ Contractor: \_\_\_\_\_  
 Schedule No: \_\_\_\_\_ Purchase Order No: \_\_\_\_\_

MIFAB reserves the right to make changes in material and design without formal notice and obligation.

USA: 1-800-465-2736 www.mifab.com CAN: 1-800-387-3880