

Location: _____

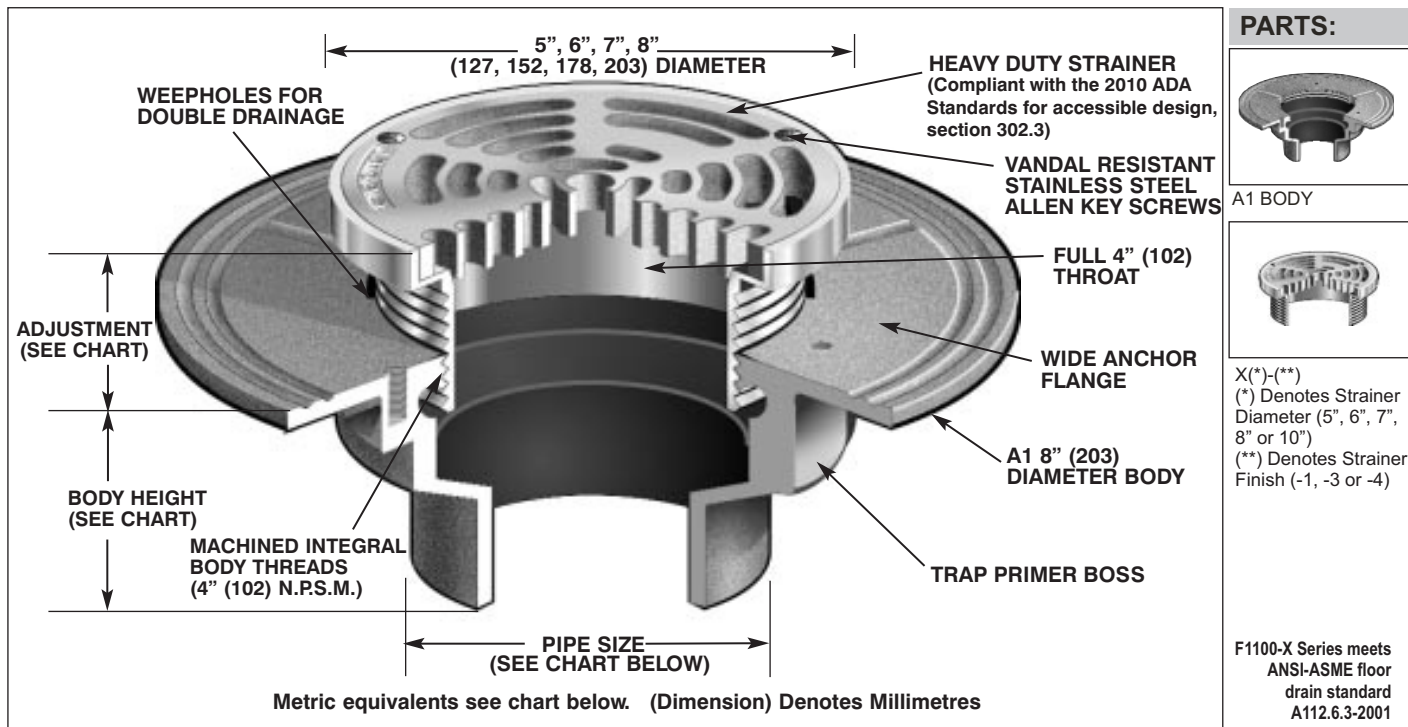


F1100-X

FLOOR DRAIN WITH HEAVY DUTY STRAINER FOR NON-MEMBRANE FLOOR AREAS

Specification: MIFAB Series F1100-X lacquered cast iron floor drain with anchor flange, weepholes, and standard heavy duty (specify diameter) (specify material finish) strainer. (For membrane floors, use MIFAB F1100-C-X Series.)

Function: Used in showers, kitchens, restrooms and other non-membrane finished areas where heavy wheeled loads are expected and a heavy duty rated strainer is required. Round adjustable strainer is used for all types of poured finished floors.



STRAINER DIAMETER	STRAINER ADJUSTMENT MIN MAX		ANSI/ASME RATING				PIPE SIZE	BODY HEIGHT				
			FREE AREA	LOAD RATING				NO HUB (STANDARD)	PUSH ON (P)	THREADED (T)	INSIDE CAULK (X)	PVC/ABS (-30)/(-31)
				N.B. (-1)	S.S. (-3)	D.I. (-4)						
5" (127)	1/2" (13)	1 1/2" (38)	8 in ² (5200 ²)	UP TO 7,499 LBS.	5000-7499 LBS.	UP TO 7,499 LBS.	2" (51) 3" (76)	3" (76)	3 3/8" (86)	2 1/4" (57) 2 5/8" (67)	3 3/4" (95)	2 15/16" (75) 3 3/4" (95)
6" (152)	11/16" (17)	1 1/2" (38)	9 in ² (5800 ²)	UP TO 7,499 LBS.	5000-7499 LBS.	—	4" (102)	3" (76)	3 3/8" (86)	2 5/8" (67)	3 3/4" (95)	3 3/4" (95)
7" (178)	9/16" (14)	1 9/16" (40)	12 in ² (7700 ²)	UP TO 7,499 LBS.	5000-7499 LBS.	—	5" (127) 6" (152)	3" (76)	—	2 5/8" (67)	3 3/4" (95)	—
8" (203)	11/16" (32)	2 1/4" (57)	18 in ² (11600 ²)	UP TO 7,499 LBS.	5000-7499 LBS.	UP TO 10,000 LBS.	3 1/4" (83)	3" (76)	6 1/2" (165)	—	—	—
10" (254)	1 1/16" (17)	2 1/4" (57)	26 in ² (17170 ²)	UP TO 7,499 LBS.	5000-7499 LBS.	—	—	—	—	—	—	—

SUFFIX	OPTIONAL VARIATIONS:	SUFFIX		SUFFIX	
-1	Nickel bronze strainer	-31	ABS socket connection body	-C	Membrane Clamp
-3	Stainless steel strainer	-34	Closure plug	-C1	Clamp ring for low rough-in (min. 1/2" (13))
-4	Ductile iron grate (5" x 8" only)	-40	Underdeck clamp	-F4	4" Round funnel
-5	Sediment bucket	-41	Sump receiver	-F6	6" Round funnel
-6	Security screws (T-20 Torx & pin)	-49	Chrome Plated Strainer	-G	Oval 4" x 9" funnel
-7	1/2" trap seal primer connection	-50	Lacquered cast iron funnel	-J	6" x 3" x 1" funnel
-8	Backwater valve (2", 3", 4")	-90	Threaded side outlet (2", 3", 4") (cast iron only)	(Standard)	No hub outlet
-11	Acid resistant epoxy coated body	-90NH	No hub side outlet (2", 3", 4") (cast iron only)	P	Push on outlet
-13	Galvanized body	-95	Client logo	-PA	Pennsylvania Steel
-15	Extension	-ARRA	ARRA (Stimulus Act) compliant product	T	Act compliant product
-21	Secondary flat stainless steel strainer (2", 3", 4")	-BA	Buy American Act compliant product	X	Threaded outlet (2", 3", 4")
-28	Stainless steel body (Type 304)			Z	Inside caulk outlet
-30	PVC socket connection body				Extended wide elastomeric flange

Job Name: _____ Page No: _____
 Section No: _____ Contractor: _____
 Schedule No: _____ Purchase Order No: _____