

Location: _____

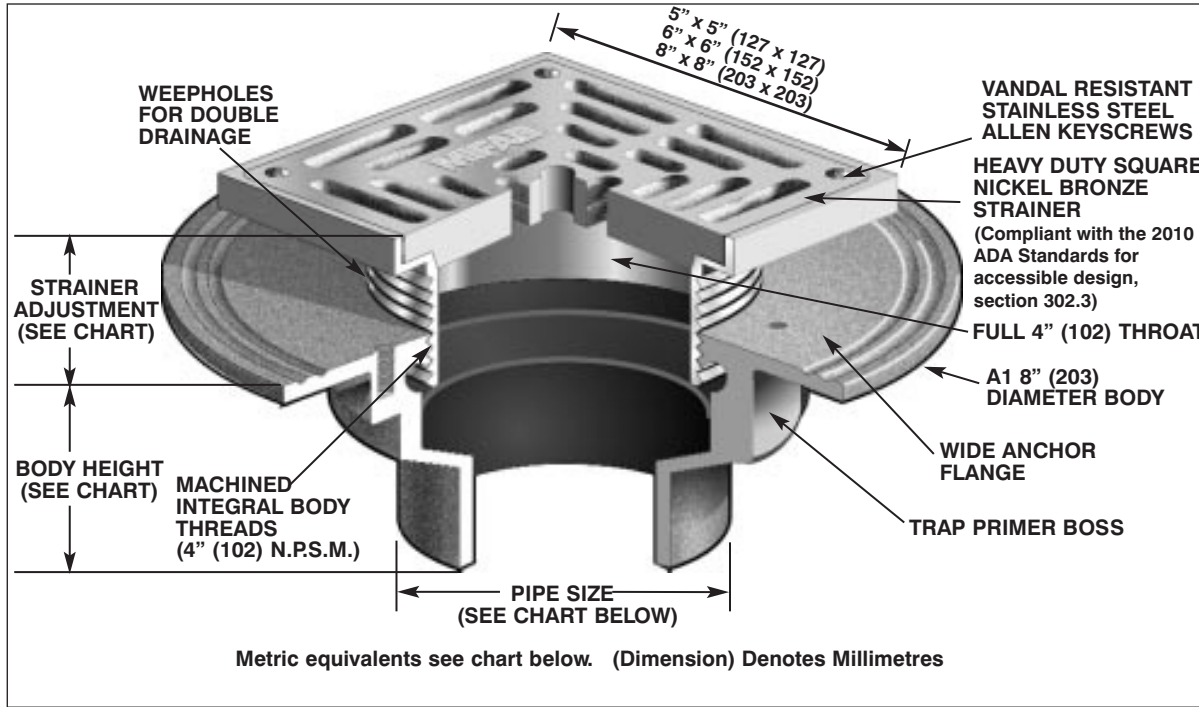


F1100-XS


SQUARE FLOOR DRAIN WITH HEAVY DUTY STRAINER FOR NON-MEMBRANE FLOOR AREAS

Specification: MIFAB Series F1100-XS lacquered cast iron floor drain with anchor flange, weepholes, and heavy duty, (specify size) square (specify strainer finish) strainer. (For membrane floors, use MIFAB F1100-C-XS Series.)


Function: Used in showers, kitchens, restrooms and other non-membrane finished areas where heavy wheeled loads are expected and a heavy duty rated strainer is required. Square adjustable strainer is used for floors that are finished of material or straight line patterns.



PARTS:



A1 BODY



HEAVY DUTY SQUARE STRAINER
(Compliant with the 2010 ADA Standards for accessible design, section 302.3)

XS(*)-(**)
(*) Denotes Strainer Size (5"x5", 6"x6", 8"x8" or 10"x10")
(**) Denotes Strainer Finish (-1, -3 or -4)

F1100-XS Series meets ANSI-ASME floor drain standard A112.6.3-2001

Metric equivalents see chart below. (Dimension) Denotes Millimetres

STRAINER SIZE	STRAINER ADJUSTMENT MIN MAX		ANSI/ASME RATING				PIPE SIZE	BODY HEIGHT				
			FREE AREA	LOAD RATING				NO HUB (STANDARD)	PUSH ON (P)	THREADED (T)	INSIDE CAULK (X)	PVC/ABS (-30)/(-31)
				N.B. (-1)	S.S. (-3)	D.I. (-4)						
5" x 5" (127 x 127)	5/8" (15)	1 9/16" (40)	9 in ² (5800 ²)	UP TO 7,499 LBS.	5000-7499 LBS.	-	2" (51)	3" (76)	3 3/8" (86)	2 1/4" (57)	3 3/4" (95)	2 15/16" (75)
6" x 6" (152 x 152)	7/8" (22)	1 9/16" (40)	12 in ² (7700 ²)	UP TO 7,499 LBS.	5000-7499 LBS.	-	3" (76)	3" (76)	3 3/8" (86)	2 5/8" (67)	3 3/4" (95)	3 3/4" (95)
8" x 8" (203 x 203)	1 1/4" (32)	2 3/16" (56)	26 in ² (16800 ²)	UP TO 7,499 LBS.	5000-7499 LBS.	OVER 10,000 LBS.	4" (102)	3" (76)	3 3/8" (86)	2 5/8" (67)	3 3/4" (95)	3 3/4" (95)
10" x 10" (254 x 254)	1 1/4" (32)	2 3/16" (56)	28 in ² (19913 ²)	-	5000-7499 LBS.	-	5" (127)	3" (76)	-	2 5/8" (67)	3 3/4" (95)	-
							6" (152)	3 1/4" (83)	6 1/2" (165)	-	-	-

SUFFIX OPTIONAL VARIATIONS:

- 1 Nickel bronze strainer
- 3 Stainless steel strainer
- 4 Ductile iron grate (5" x 8" only)
- 5 Sediment bucket
- 6 Security screws (T-20 Torx & pin)
- 7 1/2" trap seal primer connection
- 8 Backwater valve (2", 3", 4")
- 11 Acid resistant epoxy coated body
- 13 Galvanized body
- 15 Extension
- 21 Secondary flat stainless steel strainer (2", 3", 4")
- 28 Stainless steel body (Type 304)
- 30 PVC socket connection body

SUFFIX

- 31 ABS socket connection body
- 34 Closure plug
- 40 Underdeck clamp
- 41 Sump receiver
- 49 Chrome Plated Strainer
- 50 Lacquered cast iron funnel
- 90 Threaded side outlet (2", 3", 4") (cast iron only)
- 90NH No hub side outlet (2", 3", 4") (cast iron only)
- 95 Client logo
- ARRA ARRA (Stimulus Act) compliant product
- BA Buy American Act compliant product

SUFFIX

- C Membrane Clamp
- C1 Clamp ring for low rough-in (min. 1/2" (13))
- F4 4" Round funnel
- F6 6" Round funnel
- G Oval 4" x 9" funnel
- J 6" x 3" x 1" funnel
- (Standard) No hub outlet
- P Push on outlet
- PA Pennsylvania Steel Act compliant product
- T Threaded outlet (2", 3", 4")
- X Inside caulk outlet
- Z Extended wide elastomeric flange

Job Name: _____ Page No: _____
 Section No: _____ Contractor: _____
 Schedule No: _____ Purchase Order No: _____