

Location: \_\_\_\_\_

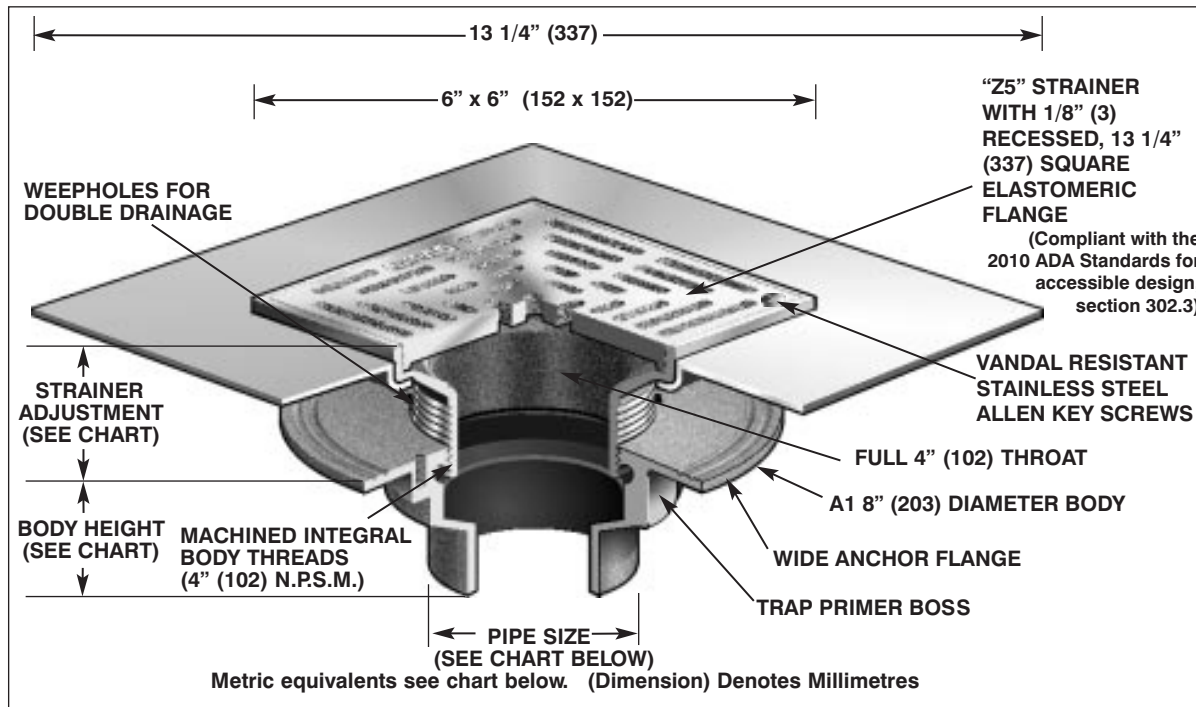


# F1100-ZS


## FLOOR DRAIN WITH SQUARE STRAINER AND ELASTOMERIC FLANGE FOR NON MEMBRANE FLOOR AREAS

**Specification:** MIFAB Series F1100-ZS lacquered cast iron floor drain with anchor flange, weepholes, and 1/8" (3) recessed, 13 1/4" (337) square elastomeric flange, with standard reinforced 6" x 6" (152 x 152) square (specify strainer finish) strainer. (For membrane floors, use MIFAB F1100-C-ZS Series.)


**Function:** Used in showers, kitchens, restrooms and other non-membrane finished areas. Wide cast iron anchor flange provides large surface area for traffic bearing deck covering. Integral flange is set 1/8" below grate. Square adjustable strainer is used for floors that are finished of material or straight line patterns.



**PARTS:**



A1 BODY



ZS(\*)  
(\*) Denotes Strainer Finish (-1 or -3)

F1100-ZS Series meets ANSI-ASME floor drain standard A112.6.3-2001

STRAINER SIZE	STRAINER ADJUSTMENT MIN      MAX		ANSI/ASME RATING		PIPE SIZE	BODY HEIGHT					
			FREE AREA	LOAD RATING N.B. (-1) / S.S. (-3)		NO HUB (STANDARD)	PUSH ON (P)	THREADED (T)	INSIDE CAULK (X)	PVC/ABS (-30)/(-31)	
6" (152 x 152)	7/8" (22)	1 9/16" (40)	12 in <sup>2</sup> (7700 <sup>2</sup> )	UP TO 2,000 LBS.	5000-7499 LBS.	2" (51)	3" (76)	3 3/8" (86)	2 1/4" (57)	3 3/4" (95)	2 15/16" (75)
						3" (76)	3" (76)	3 3/8" (86)	2 5/8" (67)	3 3/4" (95)	3 3/4" (95)
						4" (102)	3" (76)	3 3/8" (86)	2 5/8" (67)	3 3/4" (95)	3 3/4" (95)
						5" (127)	3" (76)	—	2 5/8" (67)	3 3/4" (95)	—
						6" (152)	3 1/4" (83)	6 1/2" (165)	—	—	—

**SUFFIX      OPTIONAL VARIATIONS:**

- 1 Nickel bronze strainer
- 3 Stainless steel strainer
- 5 Sediment bucket
- 6 Security screws (T-20 Torx & pin)
- 7 1/2" trap seal primer connection
- 8 Backwater valve (2", 3", 4")
- 11 Acid resistant epoxy coated body
- 13 Galvanized body
- 15 Extension
- 21 Secondary flat stainless steel strainer (2", 3", 4")
- 28 Stainless steel body (Type 304)
- 30 PVC socket connection body

**SUFFIX**

- 31 ABS socket connection body
- 34 Closure plug
- 40 Underdeck clamp
- 41 Sump receiver
- 90 Threaded side outlet (2", 3", 4") (cast iron only)
- 90NH No hub side outlet (2", 3", 4") (cast iron only)
- 95 Client logo
- ARRA ARRA (Stimulus Act) compliant product
- BA Buy American Act compliant product
- C Membrane Clamp

**SUFFIX**

- C1 Clamp ring for low rough-in (min. 1/2" (13))
- F4 4" Round funnel
- F6 6" Round funnel
- G Oval 4" x 9" funnel
- J 6" x 3" x 1" funnel
- (Standard) No hub outlet
- P Push on outlet
- PA Pennsylvania Steel Act compliant product
- T Threaded outlet (2", 3", 4")
- X Inside caulk outlet
- Z Extended wide elastomeric flange

Job Name: \_\_\_\_\_ Page No: \_\_\_\_\_  
 Section No: \_\_\_\_\_ Contractor: \_\_\_\_\_  
 Schedule No: \_\_\_\_\_ Purchase Order No: \_\_\_\_\_

MIFAB reserves the right to make changes in material and design without formal notice and obligation.