

Location: \_\_\_\_\_

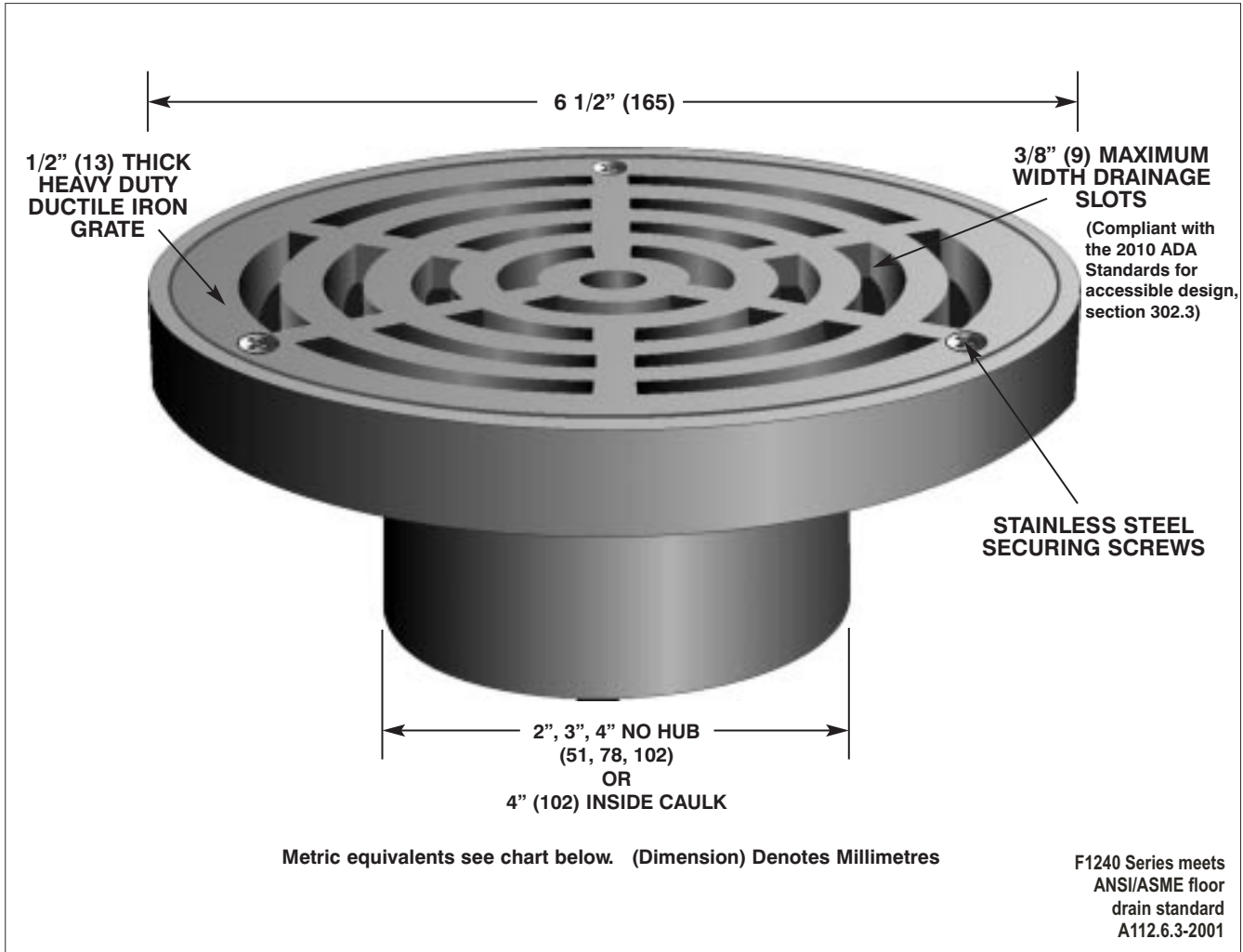


**F1240**

**UTILITY AREA DRAIN**

**Specification:** MIFAB Series F1240 lacquered ductile iron area drain with 1/2" (13) thick, 6 1/2" (165) diameter heavy duty ductile iron grate with stainless steel screws. Recommended for use in vehicular traffic areas.

**Function:** Used in warehouses, mechanical rooms and other non-membrane finished areas. Round strainer is used with all types of finished floors. Shallow depth body is ideal for shallow pour applications.



MODEL NO.	PRODUCT DESCRIPTION	OUTLET SIZE	STRAINER SIZE	BODY HEIGHT	ANSI/ASME LOAD RATING	GRATE THICKNESS	FREE AREA
F1242-4	2" (51) No hub C.I. body	2" (51)	6 1/2" (165)	3" (76)	OVER 10,000 LBS.	1/2" (13)	10 in <sup>2</sup> (6,452 <sup>2</sup> )
F1243-4	3" (76) No hub C.I. body	3" (76)	6 1/2" (165)	3" (76)		1/2" (13)	
F1244-4	4" (102) No hub C.I. body	4" (102)	6 1/2" (165)	3" (76)		1/2" (13)	

SUFFIX	OPTIONAL VARIATIONS:
-5	Sediment bucket
-6	Security screws (TR30 Torx & pin)
-8	Backwater valve (2",3",4")
-11	Acid resistant epoxy coated body
-13	Galvanized body
-34	Closure plug

SUFFIX	
-ARRA	ARRA (Stimulus Act) compliant product
-BA	Buy American Act compliant product
-HP	Heel proof grate (1/4" maximum grate opening size, -3 only)
-PA	Pennsylvania Steel Act compliant product
X	Inside caulk outlet (4" only)

Job Name: \_\_\_\_\_ Page No: \_\_\_\_\_  
 Section No: \_\_\_\_\_ Contractor: \_\_\_\_\_  
 Schedule No: \_\_\_\_\_ Purchase Order No: \_\_\_\_\_

MIFAB reserves the right to make changes in material and design without formal notice and obligation.

USA: 1-800-465-2736 www.mifab.com CAN: 1-800-387-3880