

Location: \_\_\_\_\_

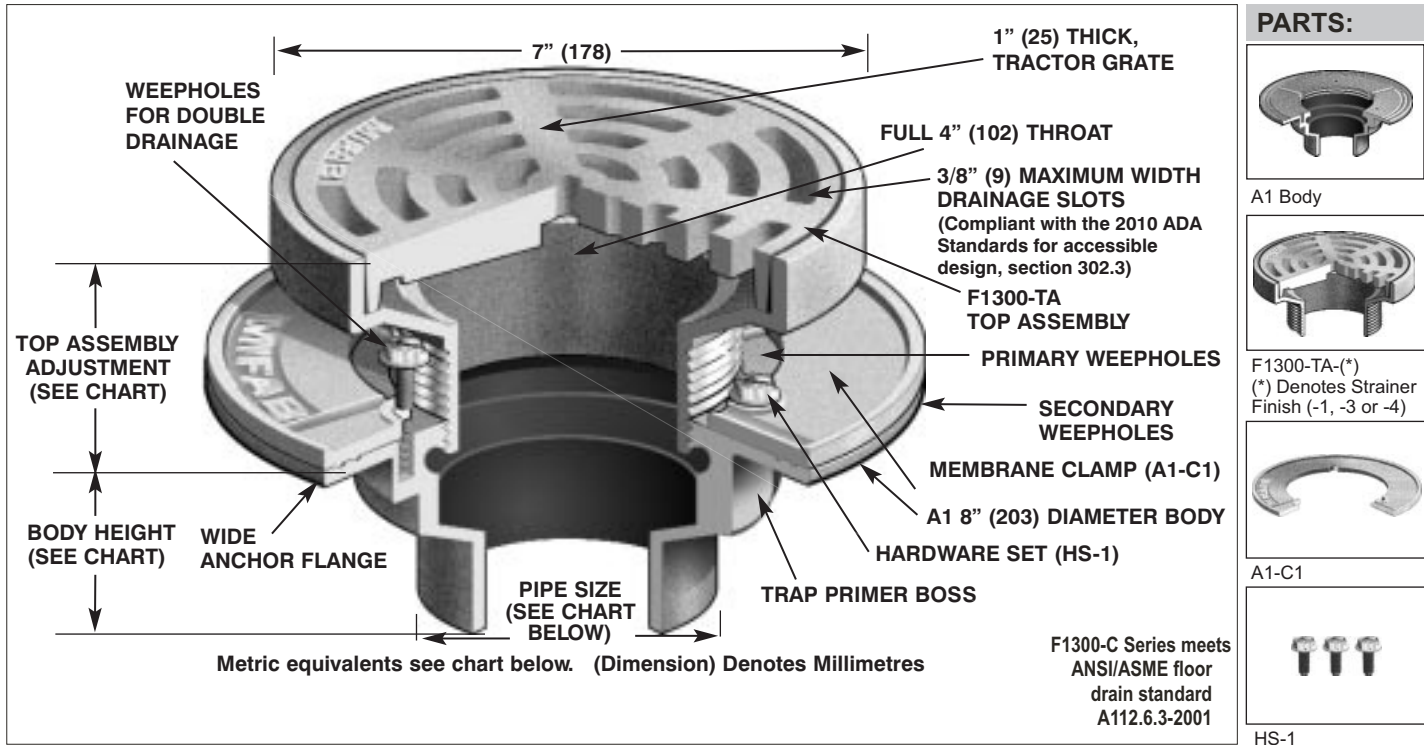


# F1300-C

## FLOOR DRAIN WITH 7" ROUND ADJUSTABLE TRACTOR GRATE

**Specification:** MIFAB Series F1300-C lacquered cast iron floor drain with anchor flange, cast iron clamp ring with primary and secondary weepholes for waterproofing membrane, and standard 1" (25) thick, 7" (178) round, (specify material finish) tractor grate. (For non-membrane floors, use F1300 Series.)

**Function:** Used in warehouses, mechanical rooms, parking garages and other membrane finished areas. 7" Round, adjustable tractor grate is used with all types of poured finished floors. Membrane clamp is provided to secure the waterproofing membrane.



STRAINER DIAMETER	STRAINER ADJUSTMENT		ANSI/ASME RATING		PIPE SIZE	BODY HEIGHT				
	MIN	MAX	FREE AREA	LOAD RATING		NO HUB (STANDARD)	PUSH ON (P)	THREADED (T)	INSIDE CAULK (X)	PVC/ABS (-30)/(-31)
7" (178)	1 5/8" (41)	2 5/8" (67)	11 in <sup>2</sup> (7096 <sup>2</sup> )	N.B. (-1) / S.S. (-3) / D.I. (-4)	2" (51)	3" (76)	3 3/8" (86)	2 1/4" (57)	3 3/4" (95)	2 15/16" (75)
				ANSI/ASME LOAD CLASS "SPECIAL DUTY" (OVER 10,000 LBS.)	3" (76)	3" (76)	3 3/8" (86)	2 5/8" (67)	3 3/4" (95)	3 3/4" (95)
					4" (102)	3" (76)	3 3/8" (86)	2 5/8" (67)	3 3/4" (95)	3 3/4" (95)
					5" (127)	3" (76)	—	2 5/8" (67)	3 3/4" (95)	—
					6" (152)	3 1/4" (83)	6 1/2" (165)	—	—	—

**SUFFIX OPTIONAL VARIATIONS:**

- 1 Nickel bronze strainer
- 3 Stainless steel strainer
- 4 Ductile iron strainer
- 5 Sediment bucket
- 6 Security screws (TR30 Torx & pin)
- 7 1/2" trap seal primer connection
- 8 Backwater valve (2", 3", 4")
- 11 Acid resistant epoxy coated body
- 12 Galvanized top assembly
- 13 Galvanized body
- 14 Non-tilt grate
- 15 Extension
- 16 Square top
- 21 Secondary flat stainless steel strainer (2", 3", 4")

**SUFFIX**

- 28 Stainless steel body (Type 304)
- 30 PVC socket connection body
- 31 ABS socket connection body
- 32 2", 3", 4" integral deep seal trap
- 34 Closure plug
- 40 Underdeck clamp
- 41 Sump receiver
- 50 Lacquered cast iron funnel
- 90 Threaded side outlet (2", 3", 4") (cast iron only)
- 90NH No hub side outlet (2", 3", 4") (cast iron only)
- 95 Client logo
- ARRA ARRA (Stimulus Act) compliant product
- BA Buy American Act compliant product

**SUFFIX**

- F4 4" Round funnel
- F6 6" Round funnel
- G Oval 4" x 9" funnel
- HP Heel proof grate (1/4" maximum grate opening size, -3 and -4 only, veneer)
- J 6" x 3" x 1" funnel
- (Standard) No hub outlet
- P Push on outlet
- PA Pennsylvania Steel Act compliant product
- T Threaded outlet (2", 3", 4", 5")
- X Inside caulk outlet
- Y Non-adjustable top
- Z Extended wide elastomeric flange

Job Name: \_\_\_\_\_ Page No: \_\_\_\_\_  
 Section No: \_\_\_\_\_ Contractor: \_\_\_\_\_  
 Schedule No: \_\_\_\_\_ Purchase Order No: \_\_\_\_\_

MIFAB reserves the right to make changes in material and design without formal notice and obligation.