

Location: _____

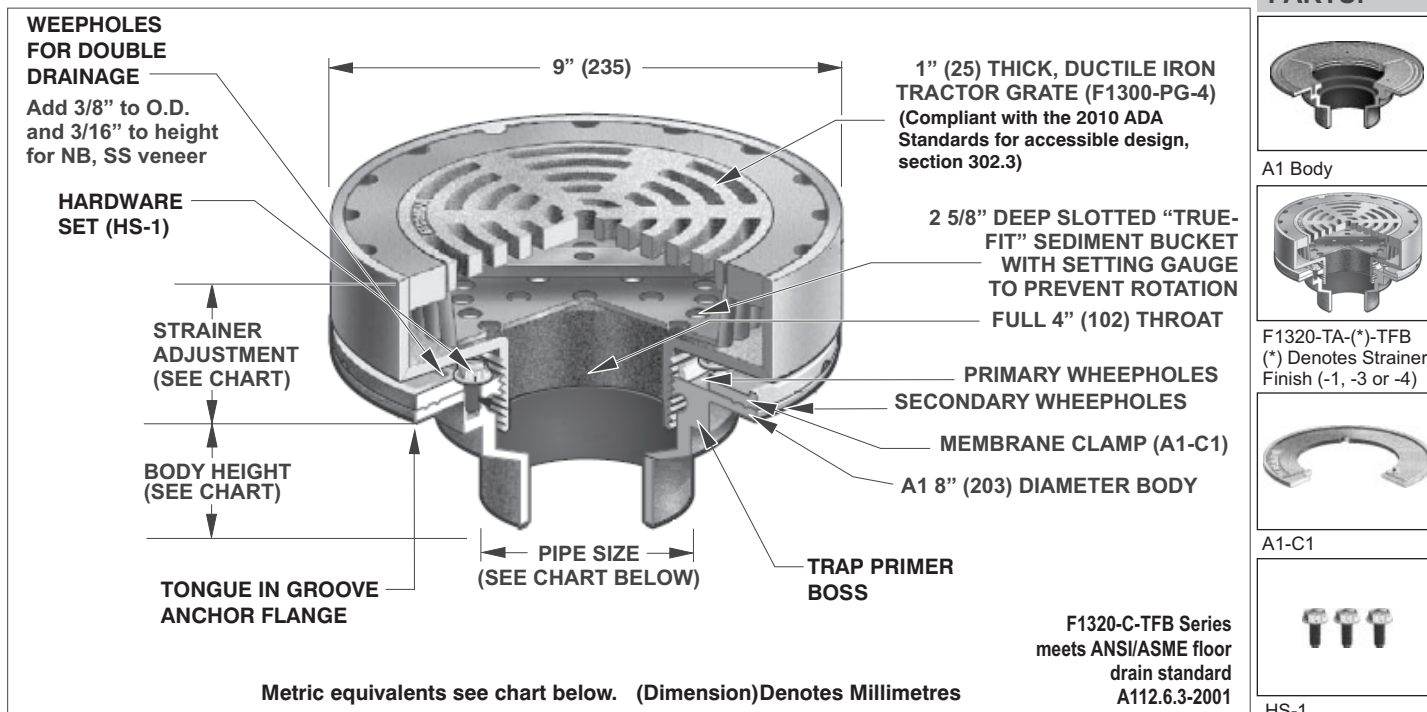


F1320-C-TFB


FLOOR DRAIN WITH 9" ROUND ADJUSTABLE TRACTOR GRATE AND "TRUE-FIT" SEDIMENT BUCKET

Specification: MIFAB Series F1320-C-TFB lacquered cast iron floor drain with anchor flange, cast iron membrane clamp with primary and secondary weepholes for waterproofing membrane, standard 1" (25) thick, 9" (235) round, (specify material finish) tractor grate, and "True-Fit" sediment bucket designed so that grate cannot be set unless the sediment bucket is in position. (For non-membrane floors, use F1320-TFB Series.)

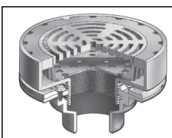
Function: Used where waste water contains solids or debris that must be intercepted to prevent drain line clogging. "True-Fit" design ensures that the sediment bucket will always be replaced after cleaning. The grate cannot be set unless the sediment bucket is in place




PARTS:




A1 Body



F1320-TA-(-*)-TFB
(* Denotes Strainer Finish (-1, -3 or -4)



A1-C1



HS-1

STRAINER DIAMETER	STRAINER ADJUSTMENT		FREE AREA	ANSI/ASME RATING		PIPE SIZE	BODY HEIGHT				
	MIN	MAX		LOAD RATING			NO HUB (STANDARD)	PUSH ON (P)	THREADED (T)	INSIDE CAULK (X)	PVC/ABS (-30)/(-31)
9" (235)	2" (51)	2 1/2" (64)	18 in ² (11,613 ²)	ANSI/ASME LOAD CLASS "SPECIAL DUTY" (OVER 10,000 LBS.)		2" (51)	3" (76)	3 3/8" (86)	2 1/4" (57)	3 3/4" (95)	2 15/16" (75)
						3" (76)	3" (76)	3 3/8" (86)	2 5/8" (67)	3 3/4" (95)	3 3/4" (95)
						4" (102)	3" (76)	3 3/8" (86)	2 5/8" (67)	3 3/4" (95)	3 3/4" (95)
						5" (127)	3" (76)	—	2 5/8" (67)	3 3/4" (95)	—
						6" (152)	3 1/4" (83)	6 1/2" (165)	—	—	—

SUFFIX	OPTIONAL VARIATIONS:	SUFFIX		SUFFIX	
-1	Nickel bronze strainer (vener)	-31	ABS socket connection body	-F4	4" Round funnel
-3	Stainless steel strainer (vener)	-32	2", 3", 4" integral deep seal trap	-F6	6" Round funnel
-4	Ductile iron strainer	-34	Closure plug	-G	Oval 4" x 9" funnel
-6	Security screws (TR30 Torx & pin)	-40	Underdeck clamp	-HP	Heel proof grate (1/4" maximum grate opening size, -3 and -4 only, veneer)
-7	1/2" trap seal primer connection	-41	Sump receiver	-J	6" x 3" x 1" funnel
-8	Backwater valve (2", 3", 4")	-50	Lacquered cast iron funnel	(Standard)	No hub outlet
-11	Acid resistant epoxy coated body	-90	Threaded side outlet (2", 3", 4") (cast iron only)	P	Push on outlet
-12	Galvanized top assembly	-90NH	No hub side outlet (2", 3", 4") (cast iron only)	-PA	Pennsylvania Steel
-13	Galvanized body	-95	Client logo	T	Act compliant product
-15	Extension	-ARRA	ARRA (Stimulus Act) compliant product	X	Threaded outlet (2", 3", 4", 5")
-21	Secondary flat stainless steel strainer (2", 3", 4")	-BA	Buy American Act compliant product	-Z	Inside caulk outlet
-28	Stainless steel body (Type 304)				Extended wide elastomeric flange
-30	PVC socket connection body				

Job Name: _____ Page No: _____
 Section No: _____ Contractor: _____
 Schedule No: _____ Purchase Order No: _____