

Location: _____

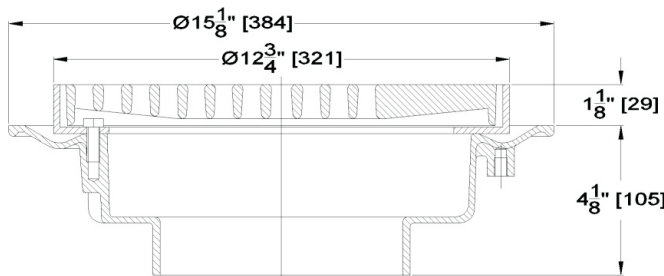
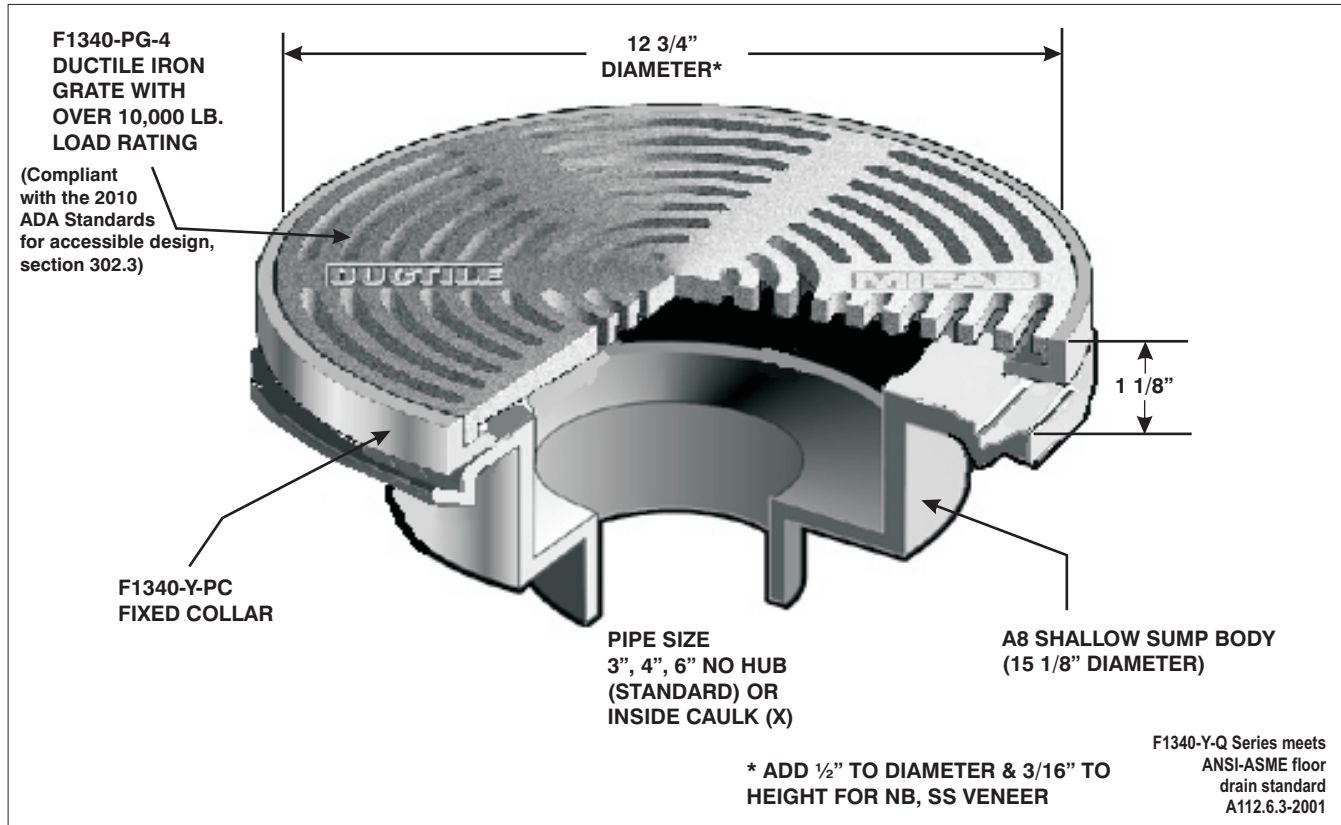


F1340-Y-Q

FLOOR DRAIN WITH 12" ROUND NON ADJUSTABLE TRACTOR GRATE AND SHALLOW BODY

Specification: MIFAB Series F1340-Y-Q, lacquered cast iron shallow sump floor drain with anchor flange and non adjustable grate top assembly with standard 1" (25) thick, 12" round, (specify material finish) tractor grate.

Function: Used in heavy traffic areas such as parking garages, factories and loading docks. Shallow body is ideal for poured in place concrete decks where space is limited.



PIPE SIZE	BODY HEIGHT	
	NO HUB (STANDARD)	INSIDE CAULK (X)
3" (76)	4 1/8" (105)	4 1/2" (114)
4" (102)	4 1/8" (105)	4 1/2" (114)
6" (152)	4 1/8" (105)	4 1/2" (114)

SUFFIX	OPTIONAL VARIATIONS:	SUFFIX		SUFFIX	
-1	Nickel bronze grate (vener)	-21	Secondary flat stainless steel strainer (2", 3", 4")	-ARRA	ARRA (Stimulus Act) compliant product
-3	Stainless steel grate (vener)	-28	Stainless steel body (Type 304)	-BA	Buy American Act compliant product
-4	Ductile iron strainer assembly	-30	PVC socket connection body	-F4	4" Round funnel
-5	Sediment bucket	-31	ABS socket connection body	-F6	6" Round funnel
-6	Vandal proof secured grate (TR30 Torx and Pin) (H-1072B)	-34	Closure plug	-G	Oval 4" x 9" funnel
-7	1/2" trap seal primer connection	-40	Underdeck clamp	-HP	Heel proof grate (1/4" maximum grate opening size, -3 only)
-8	Backwater valve (2", 3", 4")	-41	Sump receiver	-J	3" x 1" funnel
-11	Acid resistant epoxy coated body	-50	Lacquered cast iron dome	(Standard)	No hub outlet
-12	Galvanized top assembly	-90	Threaded side outlet (2", 3", 4") (cast iron only)	-PA	Pennsylvania Steel Act compliant product
-13	Galvanized body	-90NH	No hub side outlet (2", 3", 4") (cast iron only)	X	Inside caulk outlet
-15	Extension	-95	Client logo	-Z	Extended wide elastomeric flange
-16	Square Top				

Job Name: _____ Page No: _____
 Section No: _____ Contractor: _____
 Schedule No: _____ Purchase Order No: _____

MIFAB reserves the right to make changes in material and design without formal notice and obligation.