

Location: \_\_\_\_\_

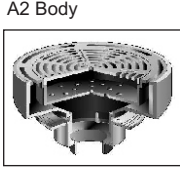
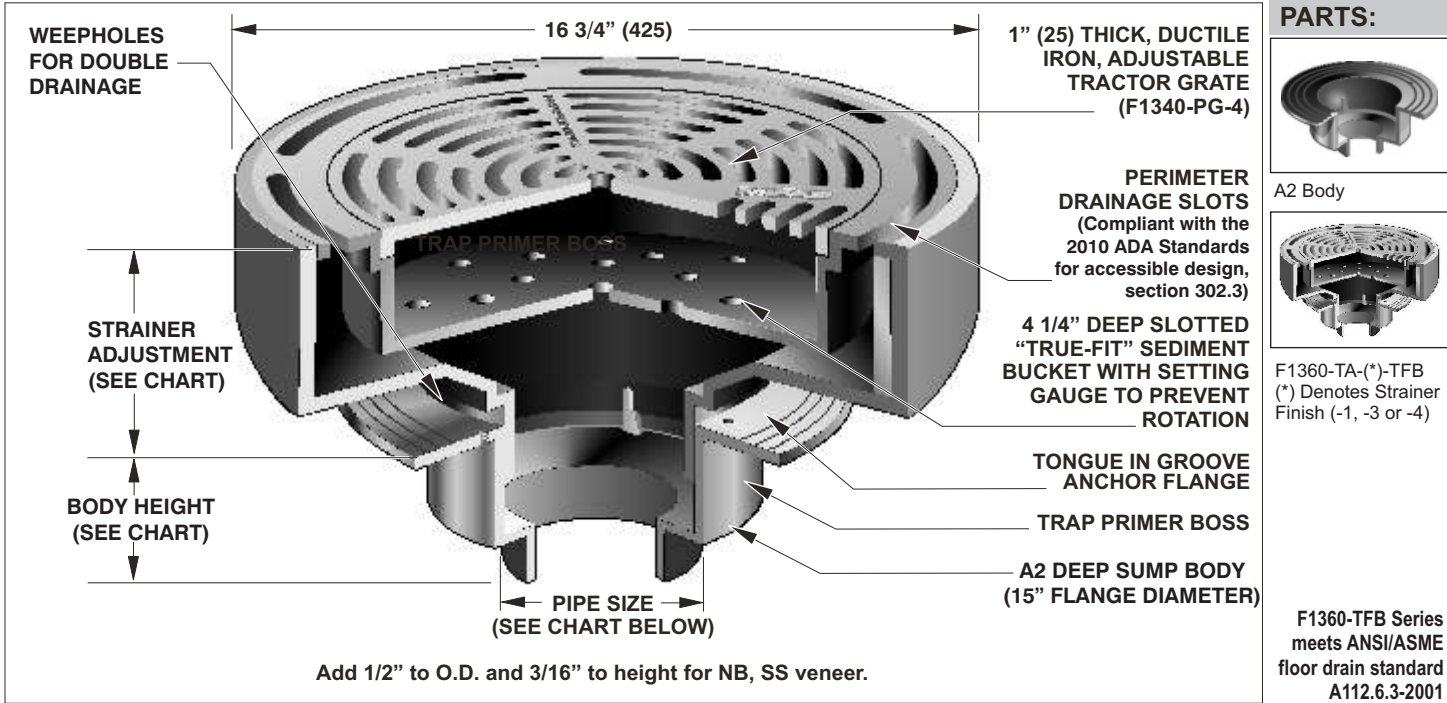


# F1360-TFB

## FLOOR DRAIN WITH 16" ROUND ADJUSTABLE TRACTOR GRATE AND "TRUE-FIT" SEDIMENT BUCKET

**Specification:** MIFAB Series F1360-TFB lacquered cast iron deep sump floor drain with anchor flange, weepholes, and adjustable collar with standard 1" (25) thick, 16" (406) round, (specify material finish) tractor grate and "True-Fit" sediment bucket designed so that grate cannot be set unless the sediment bucket is in position.

**Function:** Used where waste water contains solids or debris that must be intercepted to prevent drain line clogging. "True-Fit" design ensures that the sediment bucket will always be replaced after cleaning. The grate cannot be set unless the sediment bucket is in place.



F1360-TA-(\*)-TFB  
(\*) Denotes Strainer Finish (-1, -3 or -4)

F1360-TFB Series meets ANSI/ASME floor drain standard A112.6.3-2001

STRAINER DIAMETER	STRAINER ADJUSTMENT		ANSI/ASME RATING		PIPE SIZE	BODY HEIGHT				
	MIN	MAX	FREE AREA	LOAD RATING		NO HUB (STANDARD)	PUSH ON (P)	THREADED (T)	INSIDE CAULK (X)	PVC/ABS (-30)/(-31)
16" 3/4" (425)	3 1/4" (83)	5" (127)	60 in <sup>2</sup> (38,709 <sup>2</sup> )	ANSI/ASME LOAD CLASS "SPECIAL DUTY" (OVER 10,000 LBS.)	2" (51)	6" (152)	6 1/8" (156)	5 7/16" (138)	6 1/4" (159)	7 1/8" (181)
					3" (76)	6" (152)	6 1/8" (156)	5 7/16" (138)	6 1/4" (159)	7 3/8" (187)
					4" (102)	6" (152)	6 1/8" (156)	5 7/16" (138)	6 1/4" (159)	7 3/8" (187)
					5" (127)	6" (152)	—	5 7/16" (138)	6 1/4" (159)	—
					6" (152)	7 1/4" (184)	7" (178)	7" (178)	6 1/4" (159)	—

SUFFIX	OPTIONAL VARIATIONS:	SUFFIX	SUFFIX
-1	Nickel bronze strainer (vener)	-30	PVC socket connection body
-3	Stainless steel strainer (vener)	-31	ABS socket connection body
-4	Ductile iron grate	-32	2", 3", 4" integral deep seal trap
-6	Security screws (TR30 Torx & pin)	-34	Closure plug
-7	1/2" trap seal primer connection	-35	S.S. mesh over bucket
-8	Backwater valve (2", 3", 4")	-40	Underdeck clamp
-11	Acid resistant epoxy coated body	-41	Sump receiver
-12	Galvanized top assembly	-50	Lacquered cast iron funnel
-13	Galvanized body	-90	Threaded side outlet (2", 3", 4") (cast iron only)
-15	Extension	-90NH	No hub side outlet (2", 3", 4") (cast iron only)
-17	with trap and cleanout	-95	Client logo
-18	with trap and oil cone and cleanout	-ARRA	ARRA (Stimulus Act) compliant product
-21	Secondary flat stainless steel strainer (2", 3", 4")	-BA	Buy American Act compliant product
-24	Solid secured cover		
-28	Stainless steel body (Type 304)		
			-C Membrane Clamp
			-F4 4" Round funnel
			-F6 6" Round funnel
			-G Oval 4" x 9" funnel
			-HP Heel proof grate (1/4" maximum grate opening size, -3 and -4 only, veneer)
			-J 6" x 3" x 1" funnel
			(Standard) No hub outlet
			P Push on outlet
			-PA Pennsylvania Steel Act compliant product
			T Threaded outlet
			X Inside caulk outlet
			-Z Extended wide elastomeric flange

Job Name: \_\_\_\_\_ Page No: \_\_\_\_\_  
 Section No: \_\_\_\_\_ Contractor: \_\_\_\_\_  
 Schedule No: \_\_\_\_\_ Purchase Order No: \_\_\_\_\_