

Location: _____

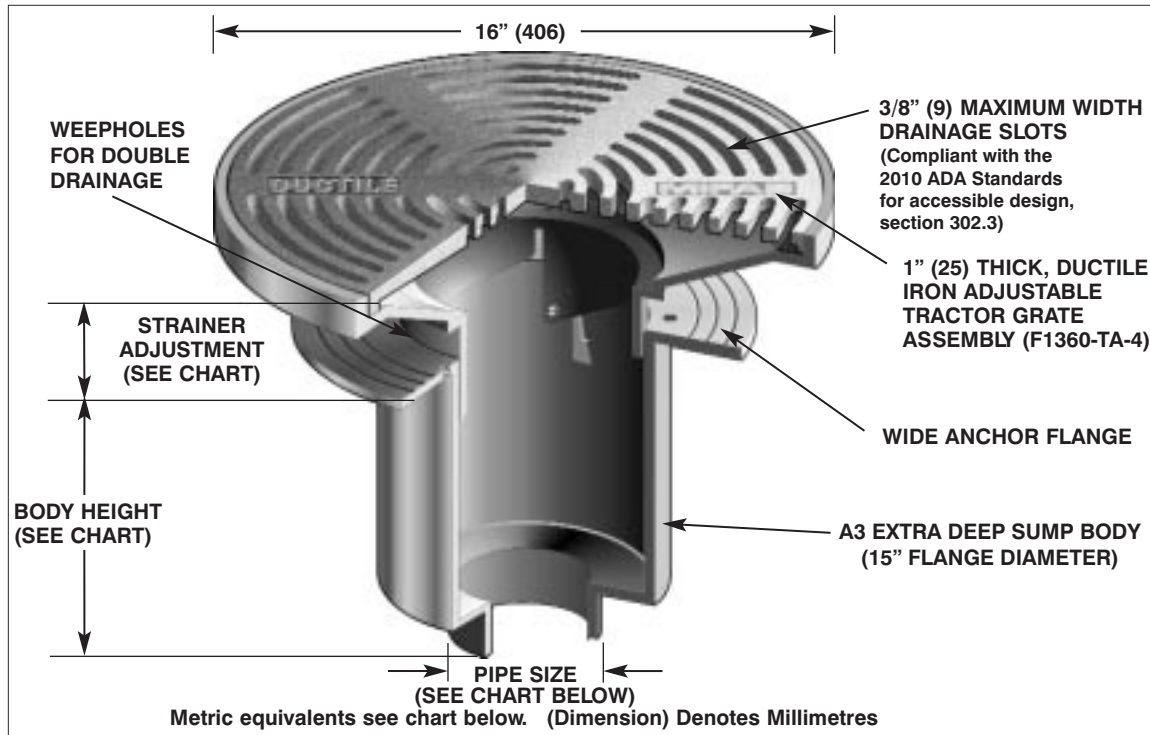


F1370

FLOOR DRAIN WITH 16" ROUND ADJUSTABLE TRACTOR GRATE AND EXTRA DEEP SUMP

Specification: MIFAB Series F1370 lacquered cast iron deep sump floor drain with anchor flange, weepholes, and adjustable collar with extra deep sump body and standard 1" (25) thick, 16" (406) round, (specify material finish) tractor grate.

Function: Used in warehouses, mechanical rooms, parking garages and other non-membrane finished areas. 16" Round, adjustable tractor grate is used with all types of poured finished floors. Deep sump body provides capacity for heavy water flow.



PARTS:



A3 Body



F1360-TA-4 (*)
(*) Denotes Strainer Finish (-1, -3 or -4)

F1370 Series meets ANSI/ASME floor drain standard A112.6.3-2001

STRAINER DIAMETER	STRAINER ADJUSTMENT		ANSI/ASME RATING		PIPE SIZE	BODY HEIGHT				
	MIN	MAX	FREE AREA	LOAD RATING		NO HUB (STANDARD)	PUSH ON (P)	THREADED (T)	INSIDE CAULK (X)	PVC/ABS (-30)/(-31)
16" (406)	2 1/4" (57)	4" (102)	33 in ² (21,290 ²)	ANSI/ASME LOAD CLASS "SPECIAL DUTY" (OVER 10,000 LBS.)	2" (51)	12 1/4" (311)	12 1/2" (318)	11 1/2" (292)	13" (330)	12 1/8" (308)
					3" (76)	12 1/4" (311)	12 1/2" (318)	11 7/8" (302)	13" (330)	12 5/8" (321)
					4" (102)	12 1/4" (311)	12 1/2" (318)	11 7/8" (302)	13" (330)	12 5/8" (321)
					5" (127)	12 1/4" (311)	—	11 7/8" (302)	16" (406)	—
					6" (152)	12 1/4" (311)	12 1/2" (318)	—	—	—

SUFFIX OPTIONAL VARIATIONS:

- 1 Nickel bronze (vener)
- 3 Stainless steel (vener)
- 4 Ductile iron grate
- 5 Sediment bucket
- 6 Security screws (TR30 Torx & pin)
- 7 1/2" trap seal primer connection
- 8 Backwater valve (2", 3", 4")
- 11 Acid resistant epoxy coated body
- 12 Galvanized top assembly
- 13 Galvanized body
- 14 Non tilt grate
- 15 Extension (per 2")
- 16 Square top
- 17 with trap and cleanout
- 18 with trap and oil cone and cleanout
- 21 Secondary flat stainless steel strainer (2", 3", 4")

SUFFIX

- 24 Solid secured cover
- 28 Stainless steel body (Type 304)
- 30 PVC socket connection body
- 31 ABS socket connection body
- 32 2", 3", 4" integral deep seal trap
- 34 Closure plug
- 35 Stainless steel mesh over bucket
- 36 Can wash assembly package
- 40 Underdeck clamp
- 41 Sump receiver
- 50 Lacquered cast iron funnel
- 90 Threaded side outlet (2", 3", 4") (cast iron only)
- 90NH No hub side outlet (2", 3", 4") (cast iron only)
- 95 Client logo
- ARRA ARRA (Stimulus Act) compliant product

SUFFIX

- BA Buy American Act compliant product
- C Membrane clamp
- F4 4" Round funnel
- F6 6" Round funnel
- G Oval 4" x 9" funnel
- HP Heel proof grate (1/4" maximum grate opening size, -3 only)
- J 6" x 3" x 1" funnel
- (Standard) No hub outlet
- P Push on outlet
- PA Pennsylvania Steel Act compliant product
- T Threaded outlet (2", 3", 4")
- X Inside caulk outlet
- Y Non-adjustable top
- Z Extended wide elastomeric flange

Job Name: _____ Page No: _____
 Section No: _____ Contractor: _____
 Schedule No: _____ Purchase Order No: _____

MIFAB reserves the right to make changes in material and design without formal notice and obligation.