

Location: _____

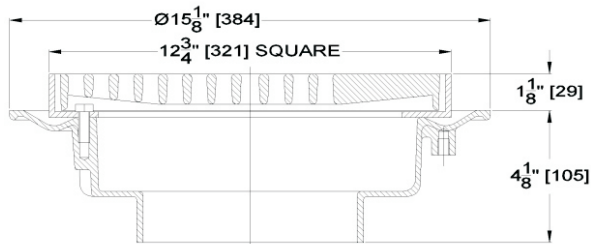
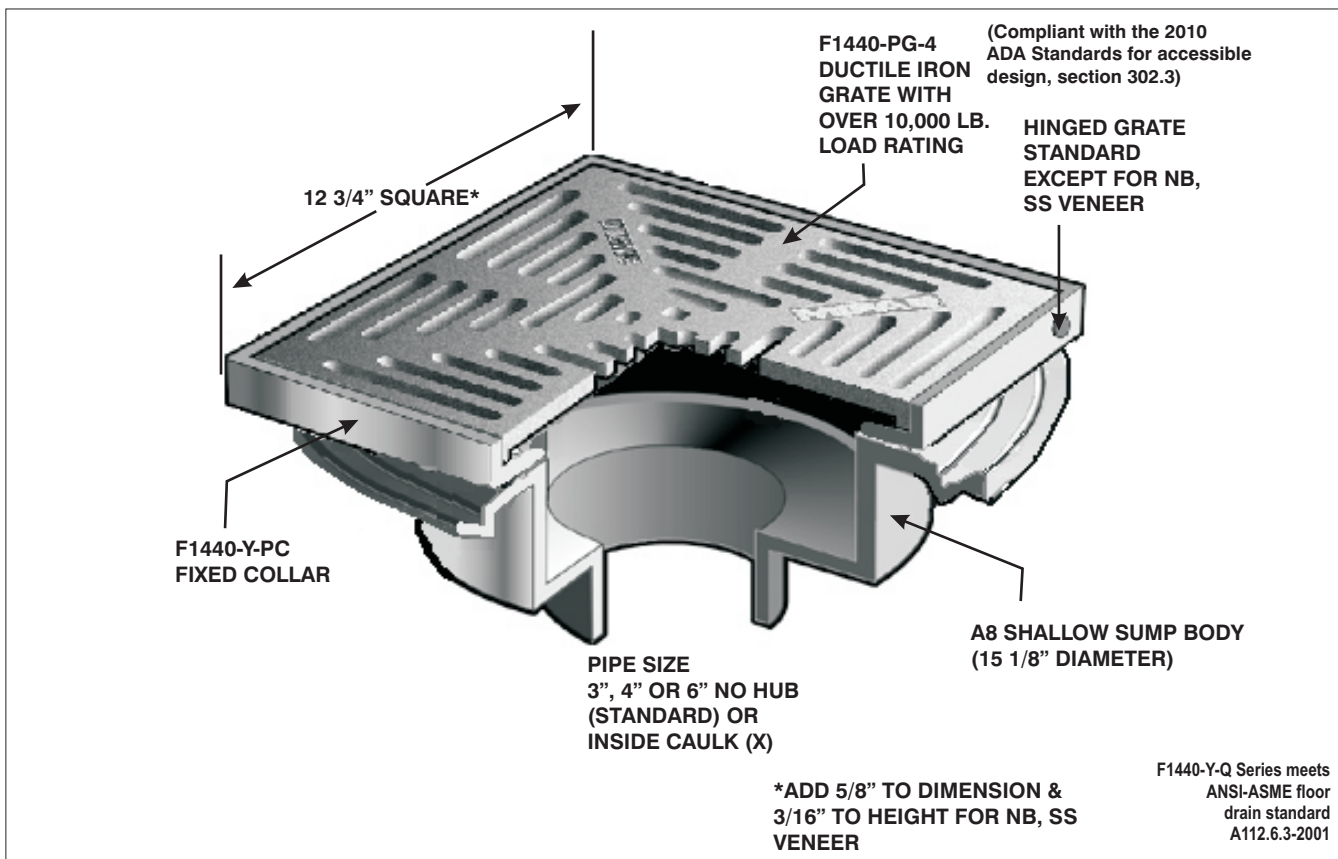


F1440-Y-Q

FLOOR DRAIN WITH 12" SQUARE NON ADJUSTABLE TRACTOR GRATE AND SHALLOW BODY

Specification: MIFAB Series F1440-Y-Q, lacquered cast iron shallow sump floor drain with anchor flange and non adjustable grate top assembly with standard 1" (25) thick, 12" square, (specify material finish) tractor grate.

Function: Used in heavy traffic areas such as parking garages, factories and loading docks. Shallow body is ideal for poured in place concrete decks where space is limited.



PIPE SIZE	BODY HEIGHT	
	NO HUB (STANDARD)	INSIDE CAULK (X)
3" (76)	4 1/8" (105)	4 1/2" (114)
4" (102)	4 1/8" (105)	4 1/2" (114)
6" (152)	4 1/8" (105)	4 1/2" (114)

SUFFIX OPTIONAL VARIATIONS:

- 1 Nickel bronze grate (vener)
- 3 Stainless steel grate (vener)
- 4 Ductile iron strainer assembly
- 5 Sediment bucket
- 6 Vandal proof secured grate (TR30 Torx and Pin) (H-1072B)
- 7 1/2" trap seal primer connection
- 8 Backwater valve (2", 3", 4")
- 11 Acid resistant epoxy coated body
- 12 Galvanized top assembly
- 13 Galvanized body
- 15 Extension
- 21 Secondary flat stainless steel strainer (2", 3", 4")

SUFFIX

- 28 Stainless steel body (Type 304)
- 30 PVC socket connection body
- 31 ABS socket connection body
- 34 Closure plug
- 40 Underdeck clamp
- 41 Sump receiver
- 50 Lacquered cast iron dome
- 90 Threaded side outlet (2", 3", 4") (cast iron only)
- 90NH No hub side outlet (2", 3", 4") (cast iron only)
- 95 Client logo
- ARRA ARRA (Stimulus Act) compliant product

SUFFIX

- BA Buy American Act compliant product
- F4 4" Round funnel
- F6 6" Round funnel
- G Oval 4" x 9" funnel
- HP Heel proof grate (1/4" maximum grate opening size, -3 only)
- J 3" x 1" funnel
- (Standard) No hub outlet
- PA Pennsylvania Steel Act compliant product
- X Inside caulk outlet
- Z Extended wide elastomeric flange

Job Name: _____ Page No: _____
 Section No: _____ Contractor: _____
 Schedule No: _____ Purchase Order No: _____