

Location: \_\_\_\_\_

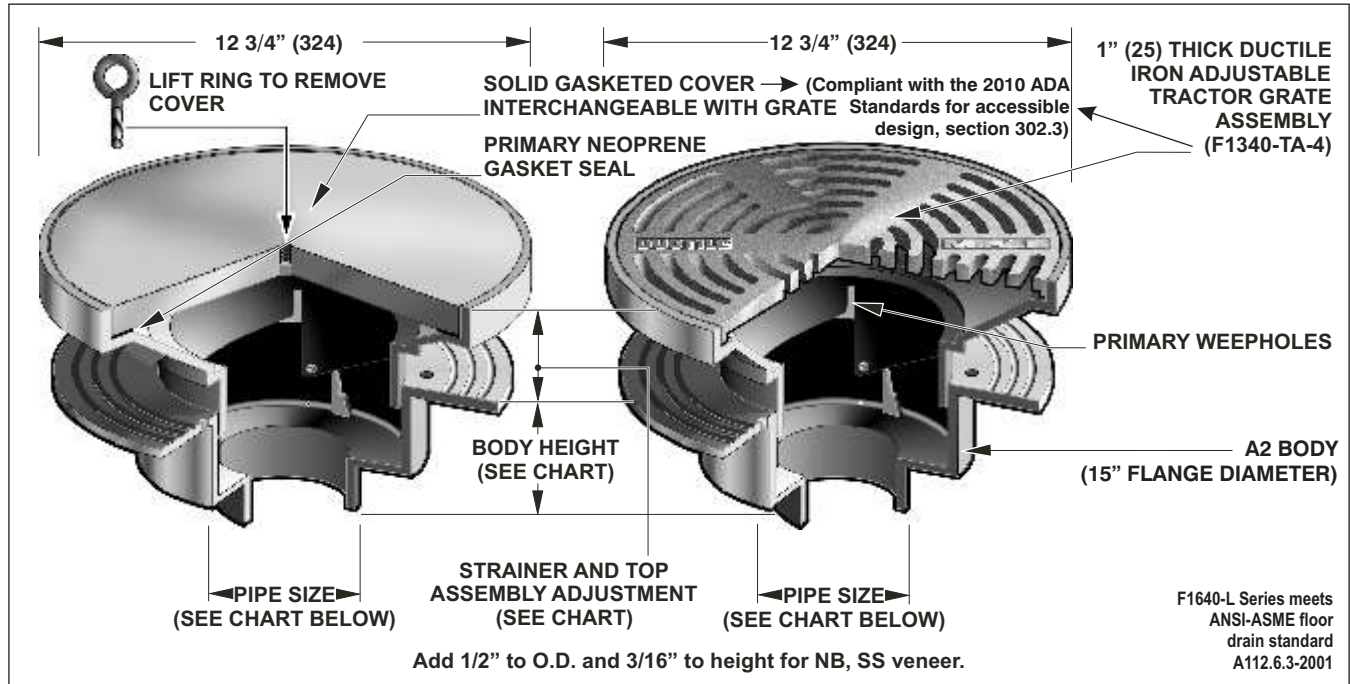


# F1640-L

## 12" DIAMETER BLOOD AND WATER DRAINS

**Specification:** MIFAB Series F1640-L, 12" (305) diameter blood and water drain set consisting of two lacquered cast iron bodies with anchor flange and weepholes. One body furnished with a 12" (305) diameter lacquered cast iron adjustable top assembly and special duty ductile iron grate. The other body furnished with a solid gasketed ductile iron cover with lift ring. The top assemblies are interchangeable with either body. (For membrane floors, add Suffix -C for the membrane clamp.)

**Function:** Used in packing house slaughtering areas. The slotted grate drain permits drainage of blood to a separate holding tank while the gasketed covered drain adjacent is connected to the sewer. The gasketed cover is to be removed and placed into the drain holding the slotted grate during washdown, and the slotted grate is to be placed in the drain previously holding the gasketed cover. This is to ensure that water used in the cleaning operation will be directed to the sewer and not to the blood storage tank.



STRAINER AND TOP ASSEMBLY DIAMETER	STRAINER AND TOP ASSEMBLY ADJUSTMENT		ANSI/ASME RATING		PIPE SIZE	BODY HEIGHT				
	MIN	MAX	FREE AREA	LOAD RATING		NO HUB (STANDARD)	PUSH ON (P)	THREADED (T)	INSIDE CAULK (X)	PVC/ABS (-30)/(-31)
12" (305)	2 1/4" (57)	4 1/8" (105)	33 in <sup>2</sup> (21,920 <sup>2</sup> )	ANSI/ASME	2" (51)	6" (152)	6 1/8" (156)	5 7/16" (138)	6 1/4" (159)	7 1/8" (181)
				LOAD CLASS	3" (76)	6" (152)	6 1/8" (156)	5 7/16" (138)	6 1/4" (159)	7 3/8" (187)
				"SPECIAL DUTY"	4" (102)	6" (152)	6 1/8" (156)	5 7/16" (138)	6 1/4" (159)	7 3/8" (187)
				(OVER 10,000 LBS.)	5" (127)	6" (152)	—	5 7/16" (138)	6 1/4" (159)	—
					6" (152)	7 1/4" (184)	7" (178)	7" (178)	6 1/4" (159)	—

**SUFFIX OPTIONAL VARIATIONS:**

- 1 Nickel bronze strainer (vener) and cover
- 3 Stainless steel strainer and cover (vener)
- 4 Ductile iron strainer and cover
- 5 Sediment bucket
- 6 Security screws (TR30 Torx & pin)
- 7 1/2" trap seal primer connection
- 8 Backwater valves (2", 3", 4")
- 11 Acid resistant epoxy coated bodies
- 13 Galvanized bodies
- 15 Extension
- 21 Secondary flat stainless steel strainer (2", 3", 4")

**SUFFIX**

- 28 Stainless steel bodies (Type 304)
- 30 PVC socket connection bodies
- 31 ABS socket connection bodies
- 34 Closure plug
- 40 Underdeck clamps
- 41 Sump receivers
- 90 Threaded side outlets (2", 3", 4") (cast iron only)
- 90NH No hub side outlets (2", 3", 4") (cast iron only)
- 95 Client logo
- ARRA ARRA (Stimulus Act) compliant product

**SUFFIX**

- BA Buy American Act compliant product
- C Membrane Clamps
- C1 Clamp rings for low rough-in (min. 1/2" (13))
- HP Heel proof grate (1/4" maximum grate opening size, -3 only) No hub outlets
- (Standard) No hub outlets
- P Push on outlets
- PA Pennsylvania Steel Act compliant product
- T Threaded outlets (2", 3", 4")
- X Inside caulk outlets
- Z Extended wide elastomeric flange

Job Name: \_\_\_\_\_ Page No: \_\_\_\_\_  
 Section No: \_\_\_\_\_ Contractor: \_\_\_\_\_  
 Schedule No: \_\_\_\_\_ Purchase Order No: \_\_\_\_\_

MIFAB reserves the right to make changes in material and design without formal notice and obligation.