

Location: \_\_\_\_\_

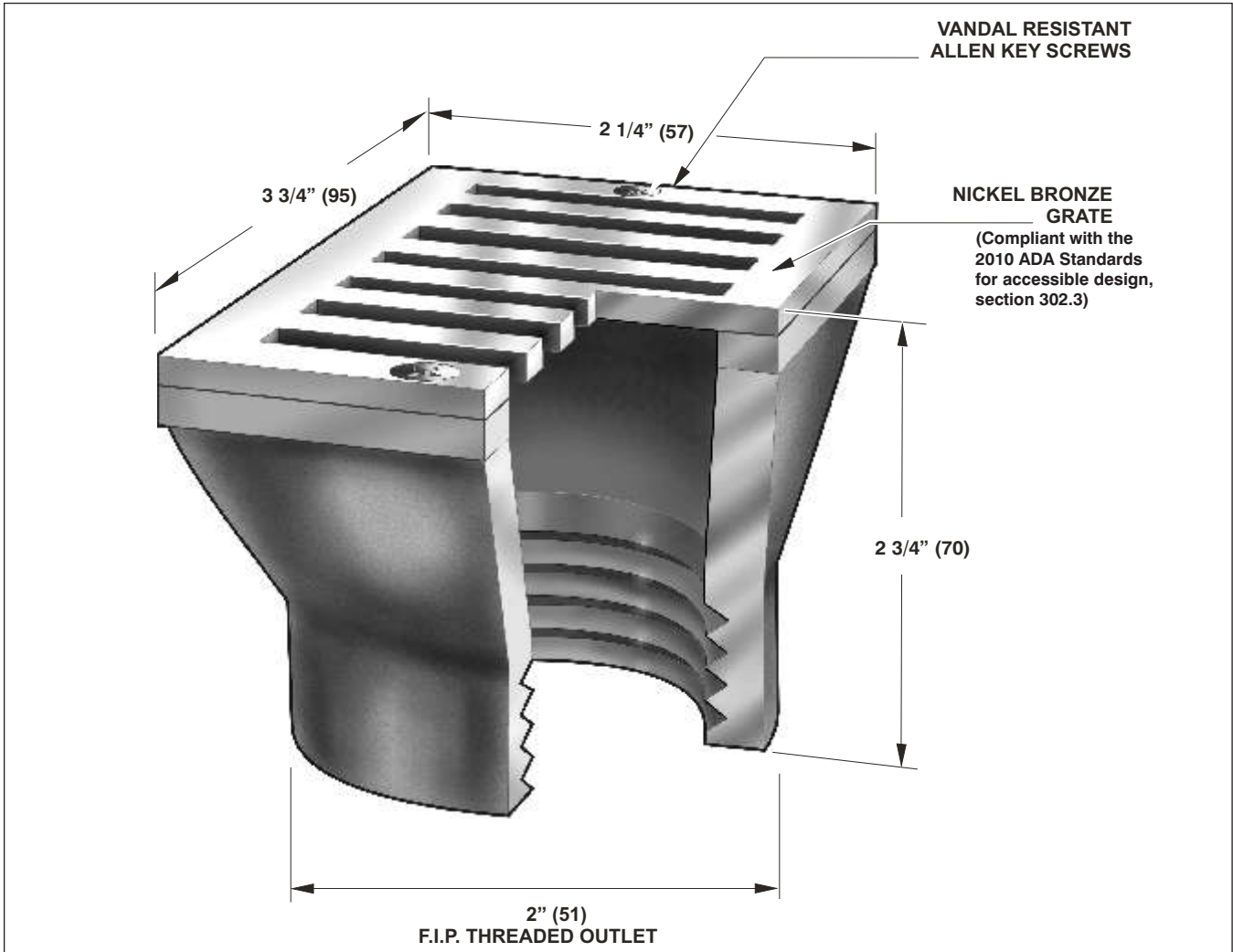


**F1720**

**2 1/4" x 3 3/4" GUTTER DRAIN**

**Specification:** MIFAB Series F1720 lacquered cast iron rectangular gutter drain with standard satin finished nickel bronze strainer and vandal resistant allen key screws.

**Function:** Used in non-membrane floor areas that have space limitations for surface damage.



STRAINER SIZE	ANSI / ASME RATING		PIPE SIZE
	FREE AREA	LOAD RATING N.B. (-1)	
3 3/4" x 2 1/4" (95 x 57)	3 in <sup>2</sup> (1935 <sup>2</sup> )	UP TO 2,000 LBS	2" (51) F.I.P.

- SUFFIX    OPTIONAL VARIATIONS:**
- 6    Security screws (T-20 Torx & pin)
  - 13    Galvanized body
  - ARRA    ARRA (Stimulus Act) compliant product
  - BA    Buy American Act compliant product
  - HP    Heel proof grate (1/4" maximum grate opening size, -3 only)
  - PA    Pennsylvania Steel Act compliant product

Job Name: \_\_\_\_\_ Page No: \_\_\_\_\_  
 Section No: \_\_\_\_\_ Contractor: \_\_\_\_\_  
 Schedule No: \_\_\_\_\_ Purchase Order No: \_\_\_\_\_

MIFAB reserves the right to make changes in material and design without formal notice and obligation.