

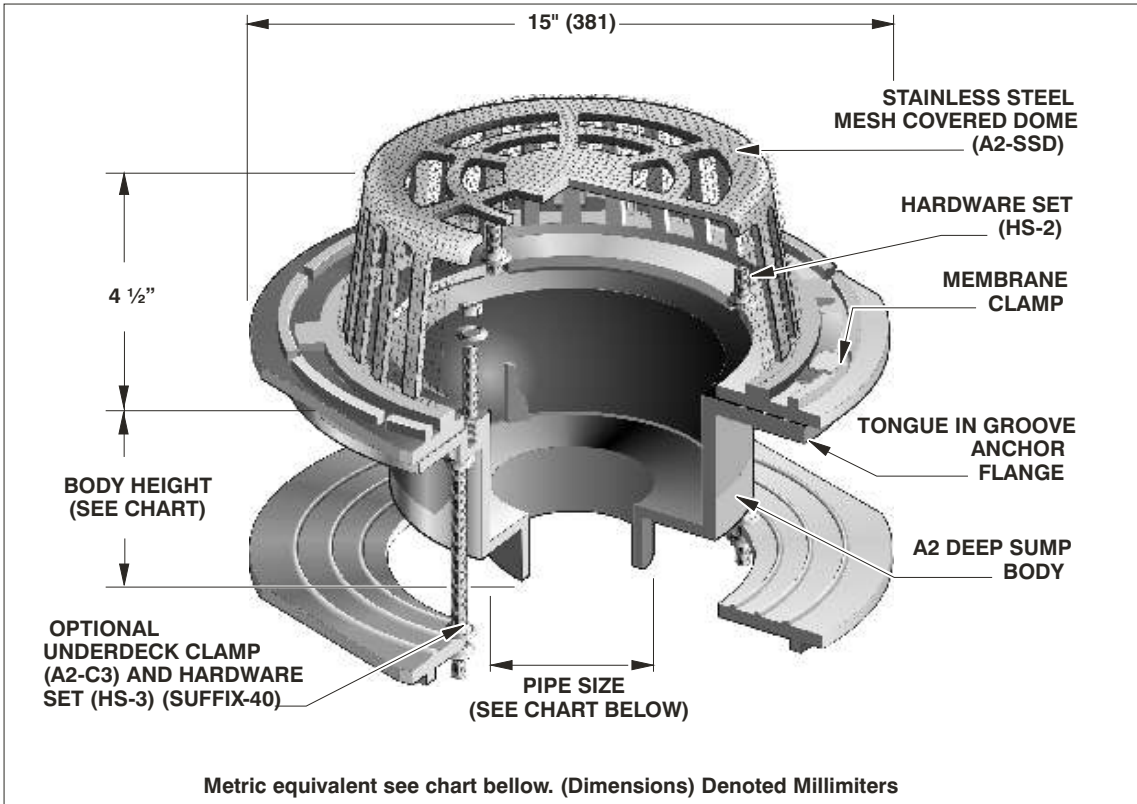


F1820

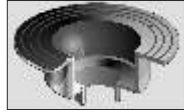
LARGE PLANTING AREA DRAIN

Specification: MIFAB Series F1820 lacquered cast iron deep sump large planting area drain with anchor flange, cast iron waterproofing membrane clamp ring, and low profile, self-locking aluminum dome strainer with stainless steel mesh screen.

Function: Used to drain water that accumulates in planting or flower boxes. The stainless steel mesh covered aluminum dome prevents fines from entering the drain line.



PARTS:



A2 BODY



A2-SSD



A2-C3



HS-2

F1820 Series meets ANSI/ASME floor drain standard A112.6.3-2001

PIPE SIZE	BODY HEIGHT				
	NO HUB (STANDARD)	PUSH ON (P)	THREADED (T)	INSIDE CAULK (X)	PVC/ABS (-30)/(-31)
2" (51)	6" (152)	6 1/8" (156)	5 7/16" (138)	6 1/4" (159)	7 1/8" (181)
3" (76)	6" (152)	6 1/8" (156)	5 7/16" (138)	6 1/4" (159)	7 3/8" (187)
4" (102)	6" (152)	6 1/8" (156)	5 7/16" (138)	6 1/4" (159)	7 3/8" (187)
5" (127)	6" (152)	—	5 7/16" (138)	6 1/4" (159)	—
6" (152)	7 1/4" (184)	7" (178)	7" (178)	6 1/4" (159)	—

SUFFIX	OPTIONAL VARIATIONS:	SUFFIX	
-6	Vandal proof dome (H-1029)	-ARRA	ARRA (Stimulus Act) compliant product
-11	Acid resistant epoxy coated body	-BA	Buy American Act compliant product
-13	Galvanized body	(Standard)	No hub outlet
-15	Extension	P	Push on outlet
-28	Stainless steel body (Type 304)	-PA	Pennsylvania Steel Act compliant product
-30	PVC socket connection body	T	Threaded outlet (2", 3", 4")
-31	ABS socket connection body	X	Inside caulk outlet
-40	Underdeck clamp		
-41	Sump receiver		
-81	Rough bronze dome with S.S. mesh		
-90	Threaded side outlet (2", 3", 4") (cast iron only)		
-90NH	No hub side outlet (2", 3", 4") (cast iron only)		

Job Name: _____ Page No: _____
 Section No: _____ Contractor: _____
 Schedule No: _____ Purchase Order No: _____