

Location: _____

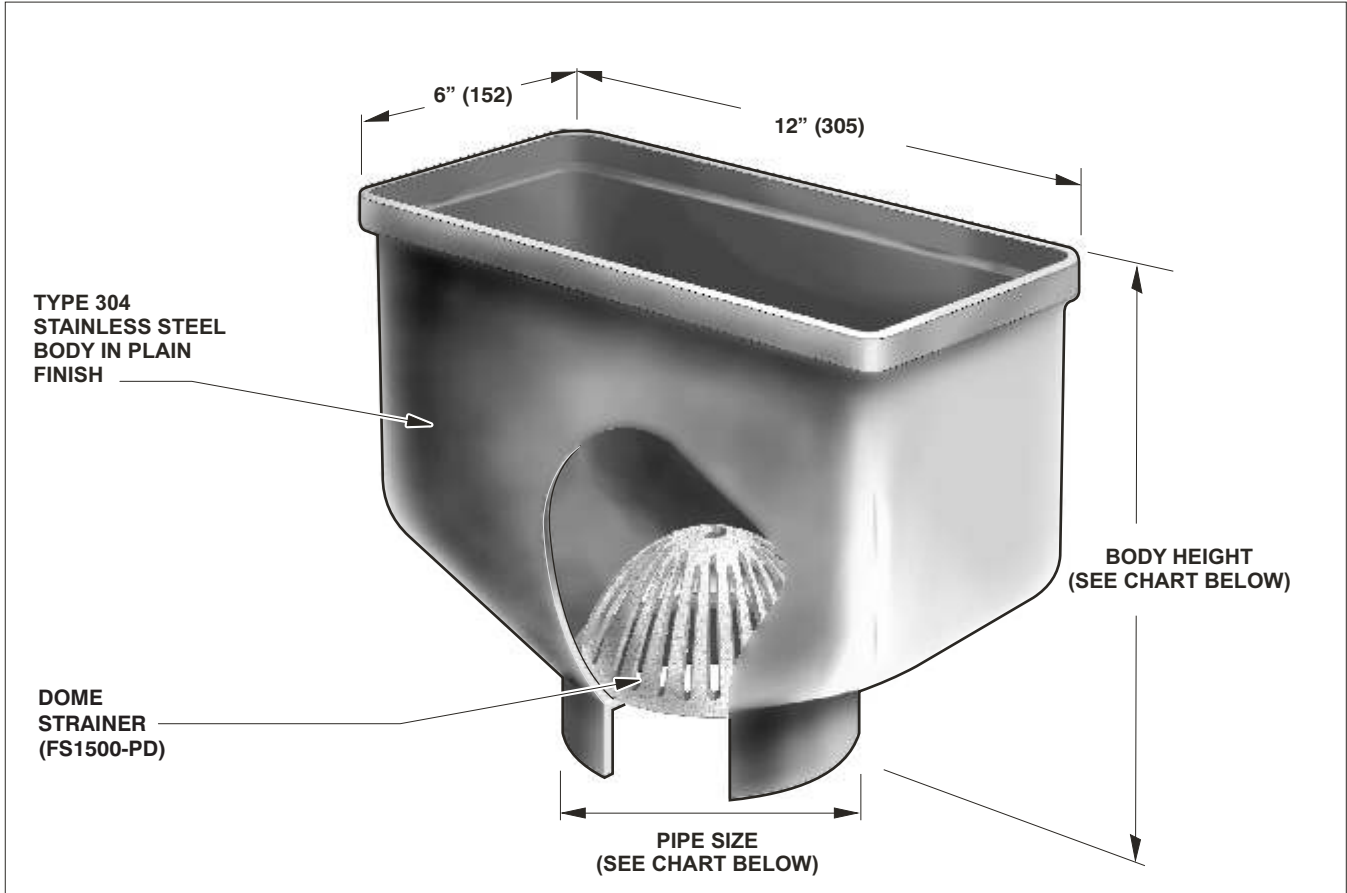


F1890

6" x 12" OPEN SIGHT DRIP DRAIN

Specification: MIFAB Series F1880 6" x 12" open sight drip drain with Type 304 stainless steel body in plain finish and aluminum bottom dome strainer.

Function: Used in areas that are not traffic prone to provide indirect waste drainage. The rectangular shape facilitates installation with the long dimension against the wall.



PIPE SIZE	BODY HEIGHT		
	NO HUB (STANDARD)	THREADED (T)	INSIDE CAULK (X)
2" (51)	10" (254)	9 1/2" (241)	10" (254)
3" (76)	10" (254)	9 7/8" (251)	10" (254)
4" (102)	10" (254)	9 7/8" (251)	10" (254)

SUFFIX OPTIONAL VARIATIONS:

- 21 Secondary flat stainless steel strainer (2", 3", 4")
- 34 Closure plug
- 34B Bronze closure plug

SUFFIX

- ARRA ARRA (Stimulus Act) compliant product
- BA Buy American Act compliant product
- FL Anchor flange
- FLC Anchor flange and membrane clamp
- (Standard) No hub outlet
- PA Pennsylvania Steel Act compliant product
- T Threaded outlet (2", 3", 4")
- X Inside caulk outlet

Job Name: _____ Page No: _____
 Section No: _____ Contractor: _____
 Schedule No: _____ Purchase Order No: _____

MIFAB reserves the right to make changes in material and design without formal notice and obligation.