

Location: _____

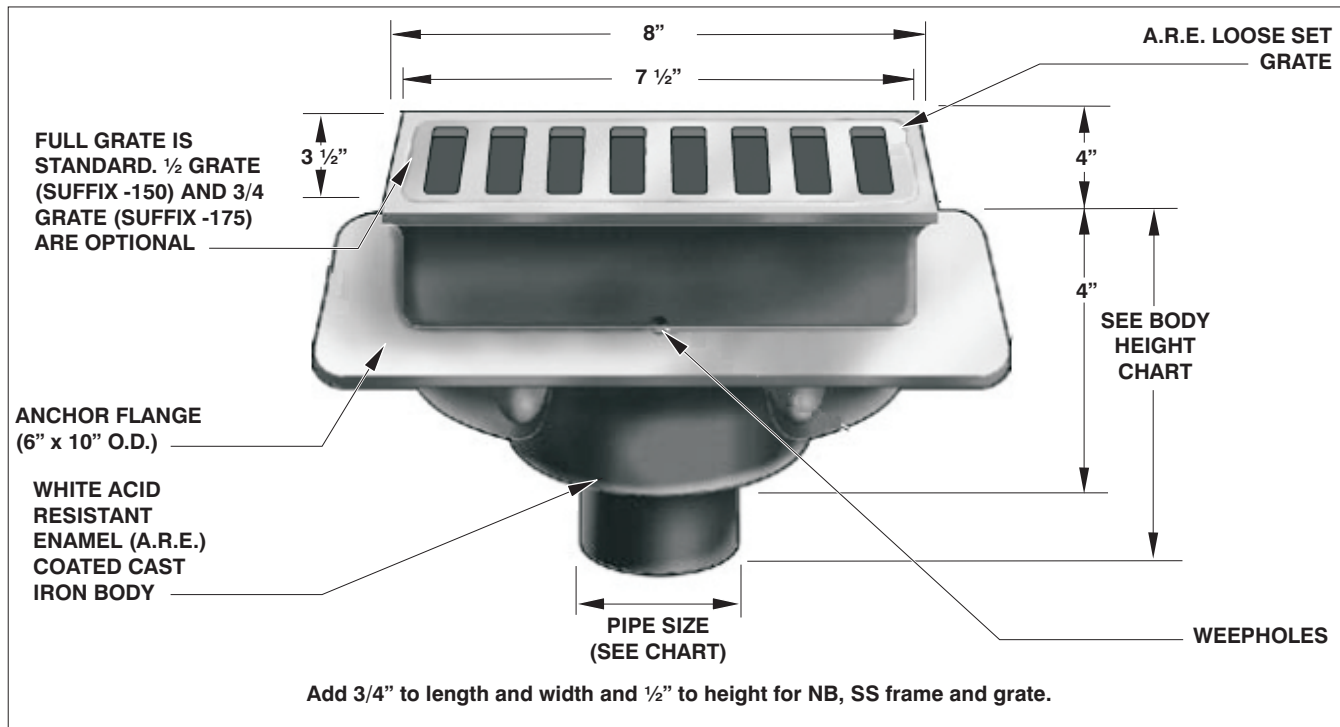


FS1530-FL

8" x 4" x 4" FLOOR AREA AND INDIRECT SANITARY WASTE DRAIN WITH FLANGE

Specification: MIFAB Series FS1530-FL, 8" x 4" x 4" deep cast iron floor area and indirect sanitary waste drain complete with white acid resistant porcelain enamel coated interior and loose set grate and anchor flange with weepholes. Anti-splash aluminum dome strainer included.

Function: Used in kitchens, restaurants, grocery stores, hospitals, schools, and other areas that require a small volume sanitary drain. The anchor flange is engineered to receive water proofing membrane. Membrane clamps are recommended for use with the anchor flange (Suffix -C). Regular top is recommended for installation under counters and along walls. The light duty grate is not suitable for foot traffic.



PIPE SIZE	BODY HEIGHT				
	NO HUB (STANDARD)	PUSH ON (P)	THREADED (T)	INSIDE CAULK (X)	PVC/ABS (-30)/(-31)
2" (51)	*6 1/2" (165)	*7 1/4" (184)	*6 1/2" (165)	*8" (203)	*7 1/4" (184)
3" (76)	*6 1/2" (165)	*7 1/4" (184)	*6 7/8" (175)	*8" (203)	*7 1/4" (184)
4" (102)	*6 1/2" (165)	*7 1/4" (184)	*6 7/8" (175)	*8" (203)	*7 1/4" (184)

*Indicates outlet size and connection available with transition outlet body only

Outlet sizes indicated by the * are available with the transition outlet body only

SUFFIX	OPTIONAL VARIATIONS:	SUFFIX		SUFFIX	
-1	Nickel bronze frame and grate	-50	A.R.E. coated cast iron funnel	(Standard)	No hub outlet
-3	Stainless steel frame and grate	-51	2 1/2" round center hole in grate (-1, -3 only)	-C	Membrane clamp with hardware
-5	Sediment bucket	-69	Stainless steel sediment bucket	-F4	4" round funnel
-6	Security screws (1, -3 only, T-20 Torx and pin)	-83	Stainless steel mesh screen over sediment bucket	-F6	6" round funnel
-7	1/2" trap seal primer connection	-90	Threaded side outlet	-G	4" x 9" oval funnel
-8	Backwater valve	-90NH	No hub side outlet	-J	3" x 1" oval funnel
-21	Secondary flat stainless steel strainer	-95	Client logo (-1, -3 only)	P	Push on outlet
-22	Less grate	-150	1/2" grate	-PA	Pennsylvania Steel Act compliant product
-30	PVC outlet	-175	3/4" grate	T	Threaded outlet
-31	ABS outlet	-BA	Buy American Act compliant product	X	Inside caulk outlet
-32	Deep seal trap with flushing connection			-Z	Extended wide elastomeric flange (with -FL only)

Job Name: _____ Page No: _____
 Section No: _____ Contractor: _____
 Schedule No: _____ Purchase Order No: _____