

Location: \_\_\_\_\_

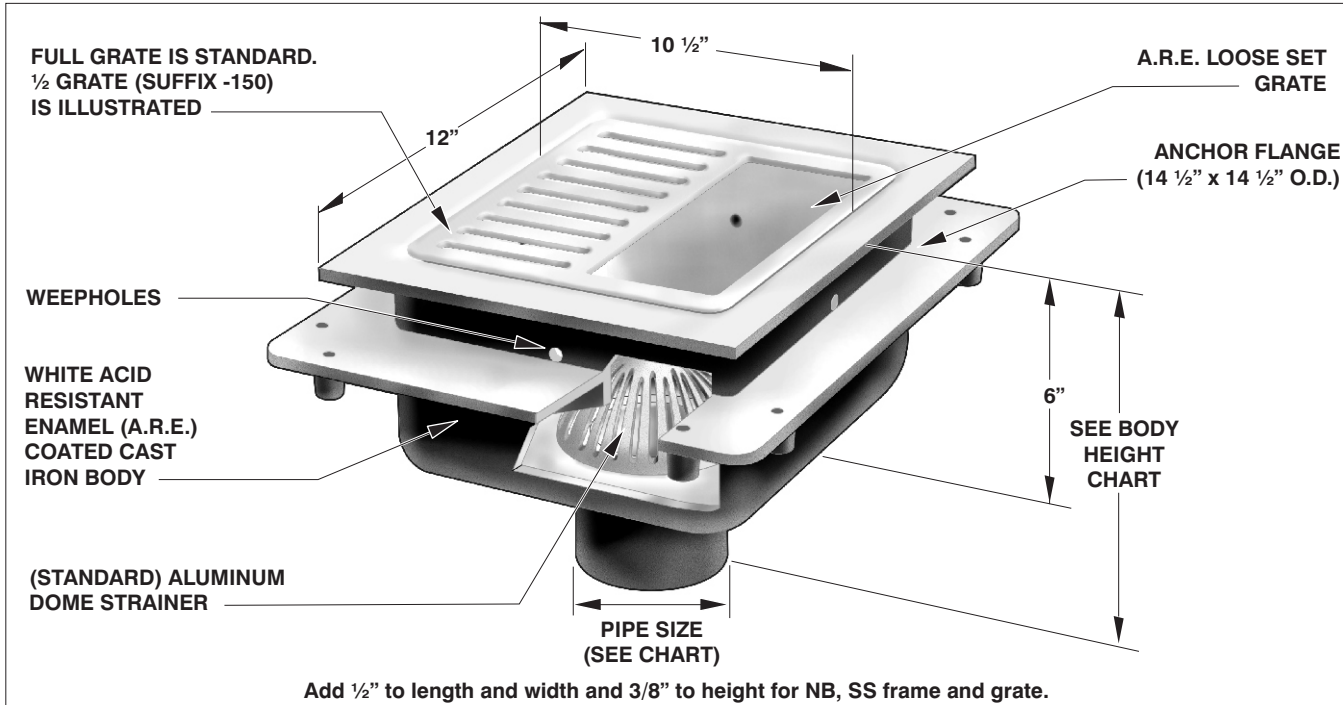


# FS1720-FL

## 12" x 12" x 6" FLOOR AREA AND INDIRECT SANITARY WASTE DRAIN WITH FLANGE

**Specification:** MIFAB Series FS1720-FL, 12" x 12" x 6" deep cast iron floor area and indirect sanitary waste drain complete with white acid resistant porcelain enamel coated interior and loose set grate and anchor flange with weepholes. Anti-splash aluminum dome strainer included.

**Function:** Used in kitchens, restaurants, grocery stores, hospitals, schools, and other areas that require a large volume sanitary drain. The anchor flange is engineered to receive water proofing membrane. Membrane clamps are recommended for use with the anchor flange (Suffix -C). The light duty grate is not suitable for foot traffic.



PIPE SIZE	BODY HEIGHT				
	NO HUB (STANDARD)	PUSH ON (P)	THREADED (T)	INSIDE CAULK (X)	PVC/ABS (-30)/(-31)
2" (51)	*8 1/2" (216)	*8 7/8" (225)	*8 1/2" (216)	*10" (254)	*9 1/4" (235)
3" (76)	7 3/4" (197)	*8 7/8" (225)	*8 7/8" (225)	8 5/8" (219)	*9 1/4" (235)
4" (102)	7 3/4" (197)	*8 7/8" (225)	*8 7/8" (225)	8 5/8" (219)	*9 1/4" (235)

\*Indicates outlet size and connection available with transition outlet body only

Outlet sizes indicated by the \* are available with the transition outlet body only

**SUFFIX OPTIONAL VARIATIONS:**

**SUFFIX**

**SUFFIX**

- 1 Nickel bronze frame and grate
- 3 Stainless steel frame and grate
- 5 Sediment bucket
- 6 Security screws (1, -3 only, T-20 Torx and pin)
- 7 1/2" trap seal primer connection
- 8 Backwater valve
- 9 Hinged grate (-1, -3 only)
- 21 Secondary flat stainless steel strainer
- 22 Less grate
- see FS1920-FL Stainless steel body (Type 304)
- see FS1920-FL Stainless steel body (Type 316)
- 30 PVC outlet
- 31 ABS outlet

- 32 Deep seal trap with flushing connection
- 50 A.R.E. coated cast iron funnel
- 51 2 1/2" round center hole in grate (-1, -3 only)
- 69 Stainless steel sediment bucket
- 83 Stainless steel mesh screen over stainless steel bucket (add to S.S. bucket)
- 90 Threaded side outlet
- 90NH No hub side outlet
- 95 Client logo (-1, -3 only)
- 150 1/2" grate
- 175 3/4" grate
- BA Buy American Act compliant product

- (Standard) No hub outlet
- F4 4" round funnel
- F6 6" round funnel
- G 4" x 9" oval funnel
- J 3" x 1" oval funnel
- P Push on outlet
- PA Pennsylvania Steel Act compliant product
- T Threaded outlet
- X Inside caulk outlet
- Z Extended wide elastomeric flange (with -FL only)

Job Name: \_\_\_\_\_ Page No: \_\_\_\_\_  
 Section No: \_\_\_\_\_ Contractor: \_\_\_\_\_  
 Schedule No: \_\_\_\_\_ Purchase Order No: \_\_\_\_\_

MIFAB reserves the right to make changes in material and design without formal notice and obligation.

USA: 1-800-465-2736 www.mifab.com CAN: 1-800-387-3880