

Location: \_\_\_\_\_

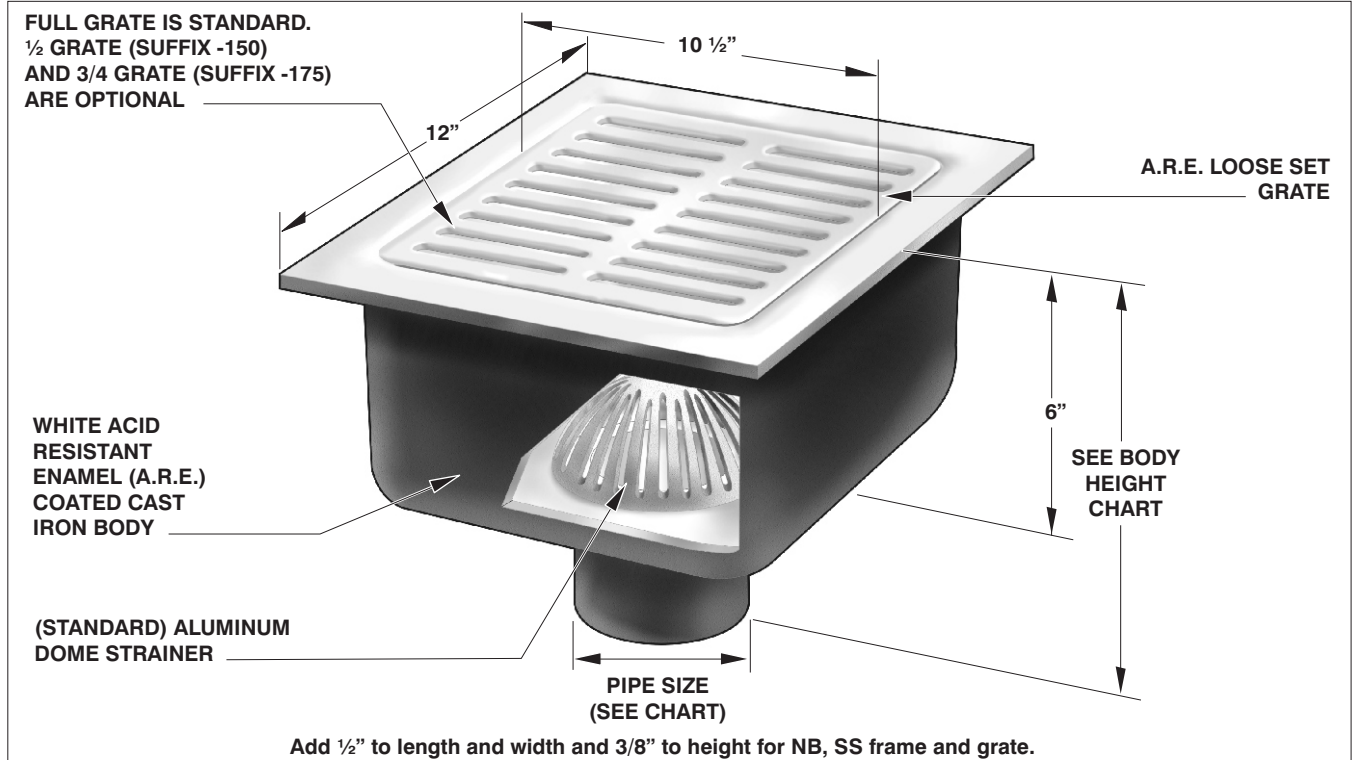


# FS1720

## 12" x 12" x 6" FLOOR AREA AND INDIRECT SANITARY WASTE DRAIN

**Specification:** MIFAB Series FS1720, 12" x 12" x 6" deep cast iron floor area and indirect sanitary waste drain complete with white acid resistant porcelain enamel coated interior and loose set grate. Anti-splash aluminum dome strainer included.

**Function:** Used in kitchens, restaurants, grocery stores, hospitals, schools, and other areas that require a large volume sanitary drain. The light duty grate is not suitable for foot traffic.



PIPE SIZE	BODY HEIGHT				
	NO HUB (STANDARD)	PUSH ON (P)	THREADED (T)	INSIDE CAULK (X)	PVC/ABS (-30)/(-31)
2" (51)	7 3/4" (197)	*8 7/8" (225)	*8 1/2" (216)	*10" (254)	*9 1/4" (235)
3" (76)	7 3/4" (197)	7 3/4" (197)	*8 7/8" (225)	8 5/8" (219)	*9 1/4" (235)
4" (102)	7 3/4" (197)	*8 7/8" (225)	*8 7/8" (225)	**10" (254)	*9 1/4" (235)

\*Indicates outlet size and connection available with transition outlet body only

\*\*4" Inside Caulk Outlet body only available with -FL anchor flange  
Outlet sizes indicated by the \* are available with the transition outlet body only

SUFFIX	OPTIONAL VARIATIONS:	SUFFIX		SUFFIX	
-1	Nickel bronze frame and grate	-32	Deep seal trap with flushing connection	(Standard)	No hub outlet
-3	Stainless steel frame and grate	-50	A.R.E. coated cast iron funnel	-C	Membrane clamp with hardware
-5	Sediment bucket	-51	2 1/2" round center hole in grate (-1, -3 only)	-F4	4" round funnel
-6	Security screws (1, -3 only, T-20 Torx and pin)	-69	Stainless steel sediment bucket	-F6	6" round funnel
-7	1/2" trap seal primer connection	-83	Stainless steel mesh screen over stainless steel bucket (add to S.S. bucket)	-FL	Anchor flange
-8	Backwater valve	-90	Threaded side outlet	-G	4" x 9" oval funnel
-9	Hinged grate (-1, -3 only)	-90NH	No hub side outlet	-J	3" x 1" oval funnel
-21	Secondary flat stainless steel strainer	-95	Client logo (-1, -3 only)	P	Push on outlet
-22	Less grate	-150	1/2" grate	-PA	Pennsylvania Steel Act compliant product
see FS1920-FL	Stainless steel body (Type 304)	-175	3/4" grate	T	Threaded outlet
see FS1920-FL	Stainless steel body (Type 316)	-BA	Buy American Act compliant product	X	Inside caulk outlet
-30	PVC outlet			-Z	Extended wide elastomeric flange (with -FL only)
-31	ABS outlet				

Job Name: _____	Page No: _____
Section No: _____	Contractor: _____
Schedule No: _____	Purchase Order No: _____

MIFAB reserves the right to make changes in material and design without formal notice and obligation.

USA: 1-800-465-2736 www.mifab.com CAN: 1-800-387-3880