

Location: _____

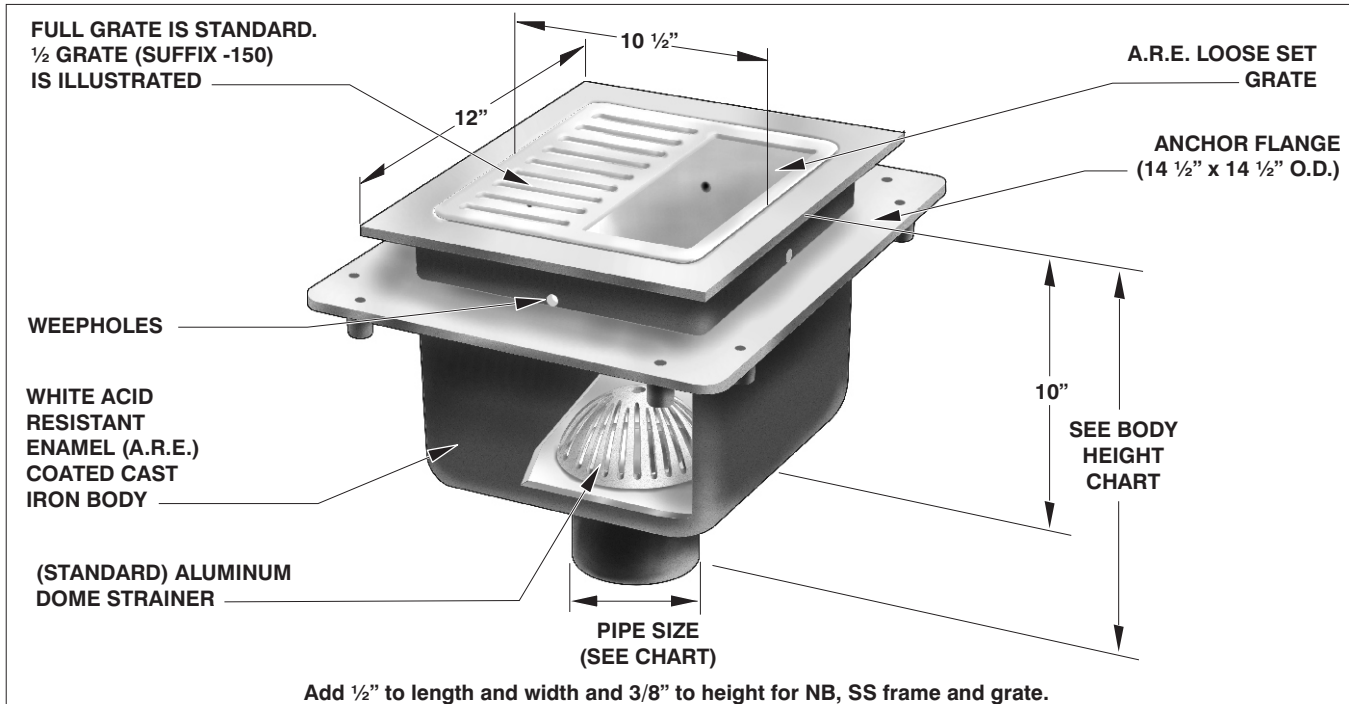


FS1740-FL

12" x 12" x 10" FLOOR AREA AND INDIRECT SANITARY WASTE DRAIN WITH FLANGE

Specification: MIFAB Series FS1740-FL, 12" x 12" x 10" deep cast iron floor area and indirect sanitary waste drain complete with white acid resistant porcelain enamel coated interior, loose set grate and anchor flange with weepholes. Anti-splash aluminum dome strainer included.

Function: Used in kitchens, restaurants, grocery stores, hospitals, schools, and other areas that require a large volume sanitary drain. Also suitable for indirect waste applications. The anchor flange is engineered to receive water proofing membrane. Membrane clamps are recommended for use with the anchor flange (Suffix -C). The light duty grate is not recommended for foot traffic.



PIPE SIZE	BODY HEIGHT				
	NO HUB (STANDARD)	PUSH ON (P)	THREADED (T)	INSIDE CAULK (X)	PVC/ABS (-30)/(-31)
2" (51)	*12 1/2" (318)	*12 7/8" (327)	*12 1/2" (318)	*14" (356)	*13 1/4" (337)
3" (76)	11 3/4" (298)	*12 7/8" (327)	*12 7/8" (327)	12 5/8" (321)	*13 1/4" (337)
4" (102)	11 3/4" (298)	*12 7/8" (327)	*12 7/8" (327)	12 5/8" (321)	*13 1/4" (337)

*Indicates outlet size and connection available with transition outlet body only

Outlet sizes indicated by the * are available with the transition outlet body only

SUFFIX	OPTIONAL VARIATIONS:	SUFFIX	SUFFIX
-1	Nickel bronze frame and grate	-32	Deep seal trap with flushing connection
-3	Stainless steel frame and grate	-50	A.R.E. coated cast iron funnel
-5	Sediment bucket	-51	2 1/2" round center hole in grate (-1, -3 only)
-6	Security screws (1, -3 only, T-20 Torx and pin)	-69	Stainless steel sediment bucket
-7	1/2" trap seal primer connection	-83	Stainless steel mesh screen over sediment bucket
-8	Backwater valve	-90	Threaded side outlet
-9	Hinged grate (-1, -3 only)	-90NH	No hub side outlet
-21	Secondary flat stainless steel strainer	-95	Client logo (-1, -3 only)
-22	Less grate	-150	1/2" grate
see FS1940-FL	Stainless steel body (Type 304)	-175	3/4" grate
see FS1940-FL	Stainless steel body (Type 316)		
-30	PVC outlet		
-31	ABS outlet		
			-BA Buy American Act compliant product
			(Standard) No hub outlet
			-F4 4" round funnel
			-F6 6" round funnel
			-G 4" x 9" oval funnel
			-J 3" x 1" oval funnel
			P Push on outlet
			-PA Pennsylvania Steel Act compliant product
			T Threaded outlet
			X Inside caulk outlet
			-Z Extended wide elastomeric flange (with -FL only)

Job Name: _____	Page No: _____
Section No: _____	Contractor: _____
Schedule No: _____	Purchase Order No: _____

MIFAB reserves the right to make changes in material and design without formal notice and obligation.

USA: 1-800-465-2736 www.mifab.com CAN: 1-800-387-3880