

Location: _____

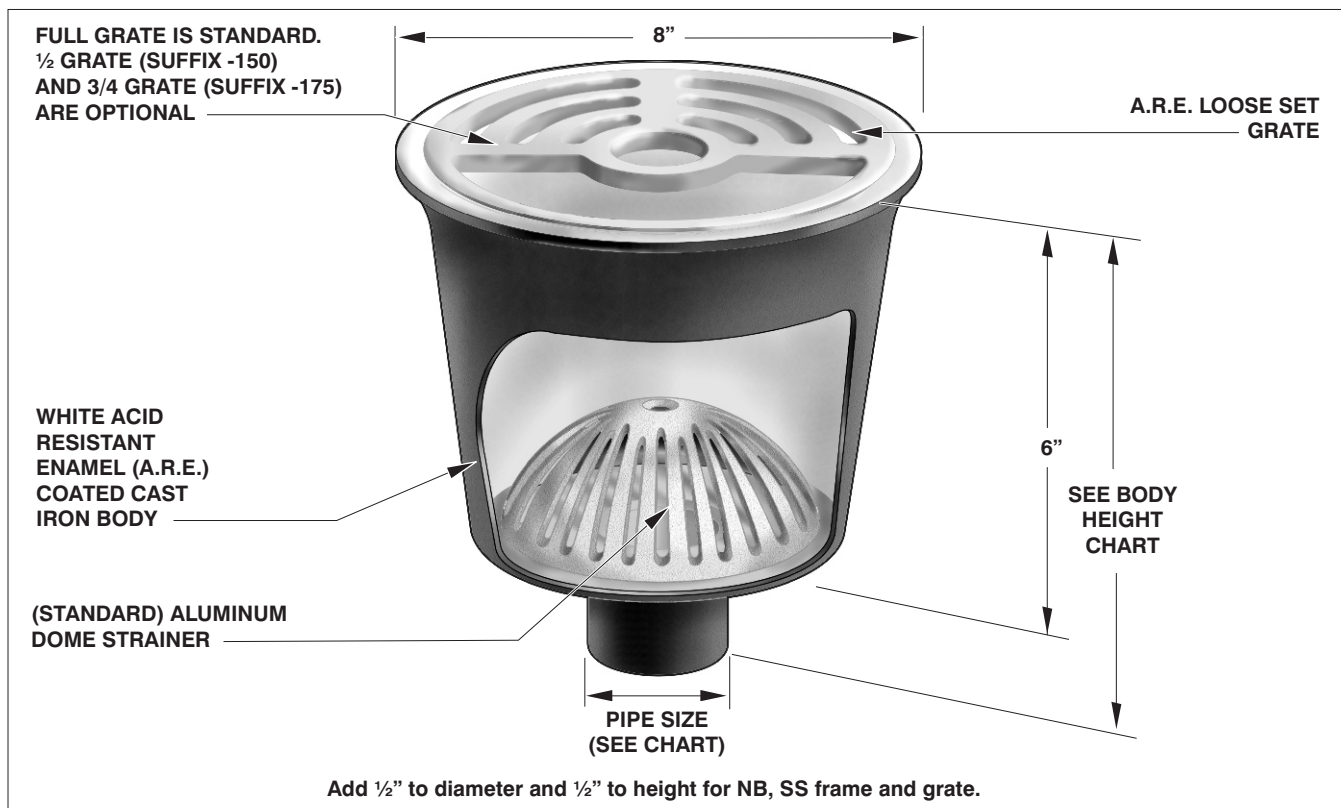


FS1750

**8" ROUND x 6" DEEP FLOOR AREA AND
INDIRECT SANITARY WASTE DRAIN**

Specification: MIFAB Series FS1750, 8" Round x 6" deep cast iron floor area and indirect sanitary waste drain complete with white acid resistant porcelain enamel coated interior and loose set grate. Anti-splash aluminum dome strainer included.

Function: Used in kitchens, restaurants, grocery stores, hospitals, schools, and other areas that require a small volume sanitary drain. The light duty grate is not recommended for foot traffic.



| PIPE SIZE | BODY HEIGHT | | | | |
|-----------|-------------------|---------------|---------------|------------------|---------------------|
| | NO HUB (STANDARD) | PUSH ON (P) | THREADED (T) | INSIDE CAULK (X) | PVC/ABS (-30)/(-31) |
| 2" (51) | *8 1/2" (216) | *8 7/8" (225) | *8 1/2" (216) | *10" (254) | *9 1/4" (235) |
| 3" (76) | *8 1/2" (216) | *8 7/8" (225) | *8 7/8" (225) | *10" (254) | *9 1/4" (235) |
| 4" (102) | *8 1/2" (216) | *8 7/8" (225) | *8 7/8" (225) | **8 5/8" (219) | *9 1/4" (235) |

*Indicates outlet size and connection available with transition outlet body only

**4" Inside Caulk Outlet body only available with -FL anchor flange
Outlet sizes indicated by the * are available with the transition outlet body only

SUFFIX OPTIONAL VARIATIONS:

- 1 Nickel bronze frame and grate
- 3 Stainless steel frame and grate
- 5 Sediment bucket
- 6 Security screws (1, -3 only, T-20 Torx and pin)
- 7 1/2" trap seal primer connection
- 8 Backwater valve
- 9 Hinged grate (-1, -3 only)
- 21 Secondary flat stainless steel strainer
- 22 Less grate
- 30 PVC outlet
- 31 ABS outlet
- 32 Deep seal trap with flushing connection

SUFFIX

- 50 A.R.E. coated cast iron funnel
- 51 2 1/2" round center hole in grate (-1, -3 only)
- 69 Stainless steel sediment bucket
- 83 Stainless steel mesh screen over sediment bucket
- 90 Threaded side outlet
- 90NH No hub side outlet
- 95 Client logo (-1, -3 only)
- 150 1/2" grate
- 175 3/4" grate
- BA Buy American Act compliant product

SUFFIX

- (Standard) No hub outlet
- C Membrane clamp with hardware
- F4 4" round funnel
- F6 6" round funnel
- FL Anchor flange
- G 4" x 9" oval funnel
- J 3" x 1" oval funnel
- P Push on outlet
- PA Pennsylvania Steel Act compliant product
- T Threaded outlet
- X Inside caulk outlet
- Z Extended wide elastomeric flange (with -FL only)

Job Name: _____ Page No: _____
 Section No: _____ Contractor: _____
 Schedule No: _____ Purchase Order No: _____

MIFAB reserves the right to make changes in material and design without formal notice and obligation.

USA: 1-800-465-2736 www.mifab.com CAN: 1-800-387-3880