

Location: \_\_\_\_\_

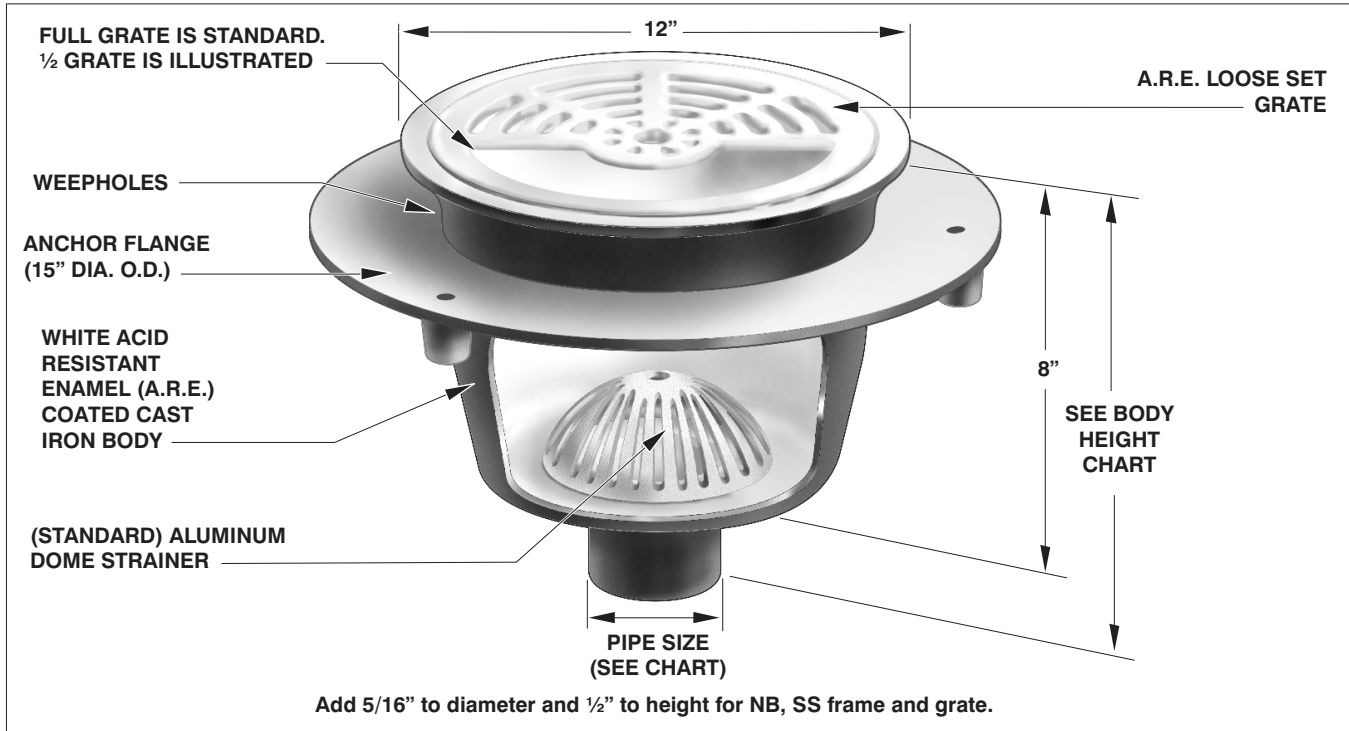


**FS1760-FL**

**12" ROUND x 8" DEEP FLOOR AREA AND  
INDIRECT SANITARY WASTE DRAIN WITH FLANGE**

**Specification:** MIFAB Series FS1760-FL, 12" Round x 8" deep cast iron floor area and indirect sanitary waste drain complete with white acid resistant porcelain enamel coated interior, loose set grate and anchor flange with weepholes. Anti-splash aluminum dome strainer included.

**Function:** Used in kitchens, restaurants, grocery stores, hospitals, schools, and other areas that require a large volume sanitary drain. Also suitable for indirect waste applications. The anchor flange is engineered to receive water proofing membrane. Membrane clamps are recommended for use with the anchor flange (Suffix -C). The light duty grate is not recommended for foot traffic.



PIPE SIZE	BODY HEIGHT				
	NO HUB (STANDARD)	PUSH ON (P)	THREADED (T)	INSIDE CAULK (X)	PVC/ABS (-30)/(-31)
2" (51)	*10 1/2" (267)	*10 7/8" (276)	*10 1/2" (267)	*12" (305)	*11 1/4" (286)
3" (76)	*10 1/2" (267)	*10 7/8" (276)	*10 7/8" (276)	*12" (305)	*11 1/4" (286)
4" (102)	*10 1/2" (267)	*10 7/8" (276)	*10 7/8" (276)	10 5/8" (270)	*11 1/4" (286)

\*Indicates outlet size and connection available with transition outlet body only

Outlet sizes indicated by the \* are available with the transition outlet body only

SUFFIX	OPTIONAL VARIATIONS:	SUFFIX		SUFFIX	
-1	Nickel bronze frame and grate	-50	A.R.E. coated cast iron funnel	(Standard)	No hub outlet
-3	Stainless steel frame and grate	-51	2 1/2" round center hole in grate (-1, -3 only)	-C	Membrane clamp with hardware
-5	Sediment bucket	-69	Stainless steel sediment bucket	-F4	4" round funnel
-6	Security screws (1, -3 only, T-20 Torx and pin)	-83	Stainless steel mesh screen over sediment bucket	-F6	6" round funnel
-7	1/2" trap seal primer connection	-90	Threaded side outlet	-G	4" x 9" oval funnel
-8	Backwater valve	-90NH	No hub side outlet	-J	3" x 1" oval funnel
-9	Hinged grate (-1, -3 only)	-95	Client logo (-1, -3 only)	P	Push on outlet
-21	Secondary flat stainless steel strainer	-150	1/2" grate	-PA	Pennsylvania Steel Act compliant product
-22	Less grate	-175	3/4" grate	T	Threaded outlet
-30	PVC outlet	-BA	Buy American Act compliant product	X	Inside caulk outlet
-31	ABS outlet			-Z	Extended wide elastomeric flange (with -FL only)
-32	Deep seal trap with flushing connection				

Job Name: _____	Page No: _____
Section No: _____	Contractor: _____
Schedule No: _____	Purchase Order No: _____

MIFAB reserves the right to make changes in material and design without formal notice and obligation.

USA: 1-800-465-2736 www.mifab.com CAN: 1-800-387-3880