

Location: _____

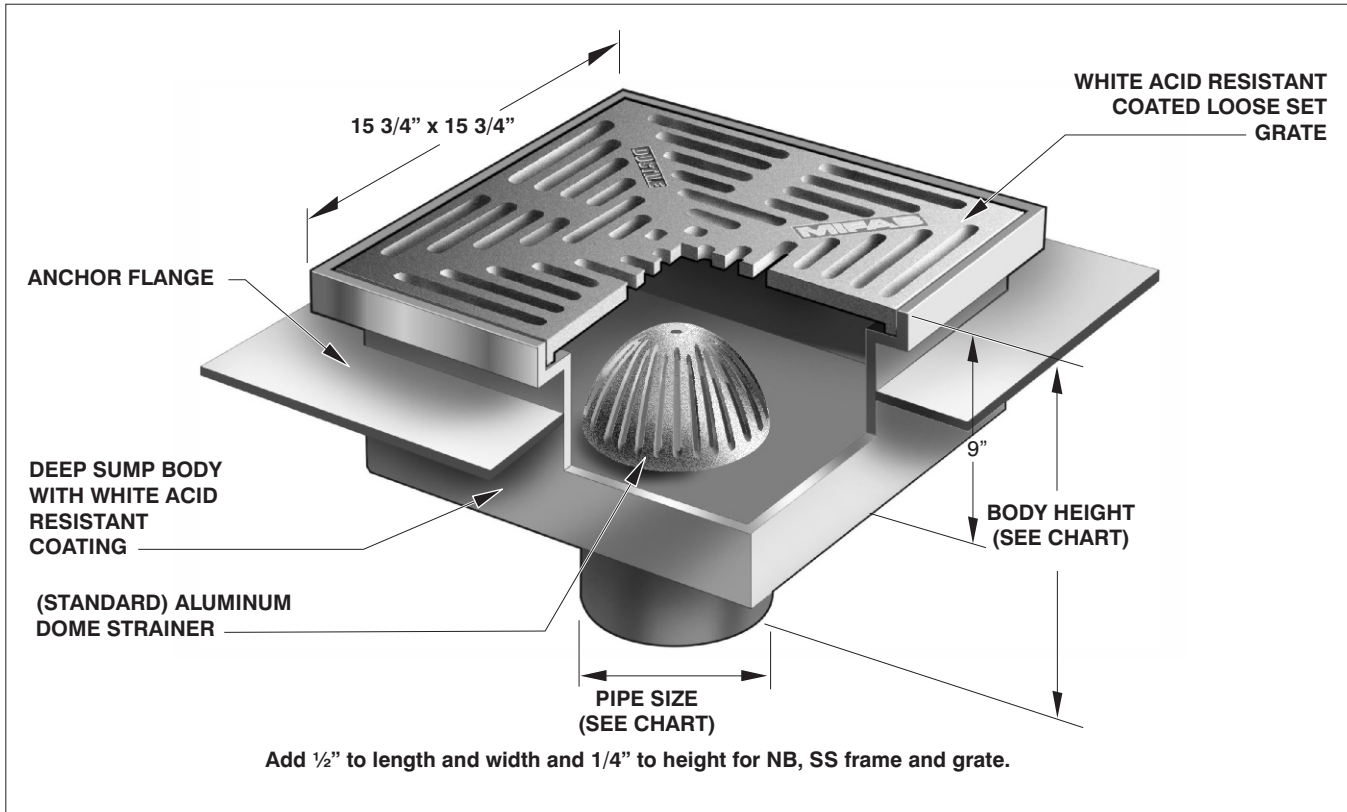


FS1770-FL

16" x 16" x 9" DEEP FLOOR AREA AND INDIRECT SANITARY WASTE DRAIN WITH FLANGE

Specification: MIFAB Series FS1770-FL, 16" x 16" x 9" deep floor area and indirect sanitary waste drain complete with white acid resistant coated steel interior and heavy duty ductile iron loose set grate with white acid resistant coating and anchor flange. Anti-splash aluminum dome strainer included.

Function: Used in kitchens, restaurants, grocery stores, hospitals, schools, and other commercial areas that require a large volume sanitary drain and anchor flange for waterproof membrane installations. Also suitable for indirect waste applications.



PIPE SIZE	BODY HEIGHT				
	NO HUB (STANDARD)	PUSH ON (P)	THREADED (T)	INSIDE CAULK (X)	PVC/ABS (-30)/(-31)
2" (51)	12" (305)	12 3/8" (314)	11 1/4" (285)	12 3/4" (324)	11 15/16" (303)
3" (76)	12" (305)	12 3/8" (314)	11 5/8" (295)	12 3/4" (324)	12 3/4" (324)
4" (102)	12" (305)	12 3/8" (314)	11 5/8" (295)	12 3/4" (324)	12 3/4" (324)

Note: All of MIFAB's FS1770 drains are manufactured with transition outlet bodies only.

SUFFIX	OPTIONAL VARIATIONS:	SUFFIX	SUFFIX
-1	Nickel bronze frame and grate	-50	(Standard)
-3	Stainless steel frame and grate	-51	No hub outlet
-5	Sediment bucket	-69	-C
-6	Security screws (1, -3 only, T-20 Torx and pin)	-83	Membrane clamp with hardware
-7	1/2" trap seal primer connection	-90	-F4
-8	Backwater valve	-90NH	4" round funnel
-21	Secondary flat stainless steel strainer	-95	-F6
-22	Less grate	-150	6" round funnel
-30	PVC outlet	-175	-G
-31	ABS outlet	-BA	4" x 9" oval funnel
-32	Deep seal trap with flushing connection		-J
			P
			-PA
			T
			X
			-Z

Job Name: _____ Page No: _____
 Section No: _____ Contractor: _____
 Schedule No: _____ Purchase Order No: _____