

Location: _____



MC-12D

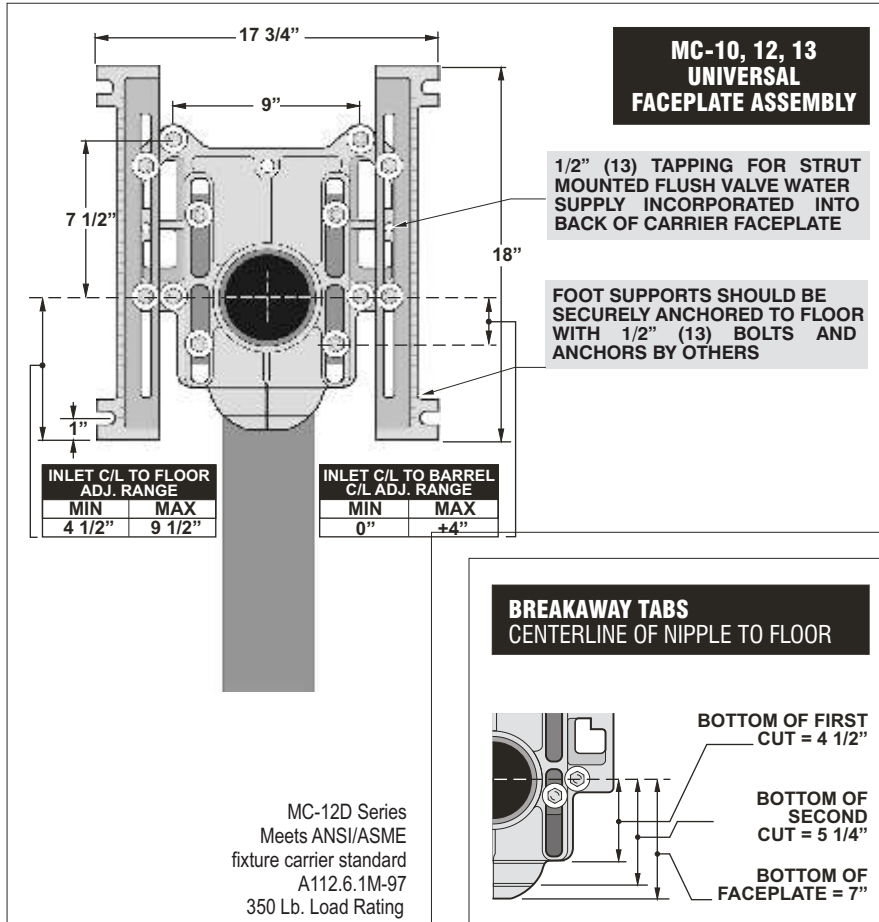
DOUBLE, VERTICAL, ADJUSTABLE WATER CLOSET CARRIER

Specification: MIFAB® Series MC-12D double, vertical, adjustable water closet carrier with lacquered cast iron fitting, 4" (102) no hub waste, 2" (51) no hub vent connection, lacquered cast iron gasketed adjustable faceplates, universal floor mounted cast iron foot supports, adjustable 8" tapered thread ABS nipples with integral test caps, neoprene bowl gaskets, hardware, threaded rod protectors and polished chrome plated finishing cap nuts.

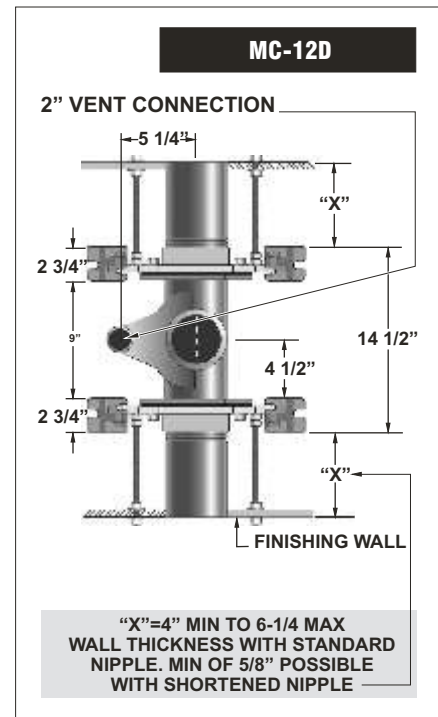
Function: Used when through the slab pipe connection is required with back to back water closets installed on a common stack. Adjustable faceplate design permits installer to set water closets to the desired height from the finished floor, relative to the position of the vertical carrier fitting within the stack system. Typical for off the floor plumbing fixtures that are wall mounted and have no contact with the finished floor. The closet carrier is completely concealed within the wall and supports the load of the fixtures through a faceplate and foot support system that is anchored to the floor. Sanitation underneath the fixtures is more efficiently and economically maintained when installed off of the floor compared to floor mounted.

Note: 14 1/2" (368) minimum space required between front of foot supports. 9" (229) minimum in wall space required between back of in wall foot supports.

Note: Foot supports and faceplate are assembled at the factory before shipment in the typical siphon jet water closet configuration and are reversible for the blowout water closet design.



Note: 8" tapered thread ABS nipple shipped standard with MC-12D Series carriers. The universal faceplate assembly accepts all nipple variations, rolling thread (-OR), cast iron (-CI) and tapered thread ABS with adjustable horn (-AH).



- | SUFFIX | OPTIONAL VARIATIONS: |
|---------|---|
| -AH8 | 8" ABS nipple with adjustable horn |
| -AH12 | 12" ABS nipple with adjustable horn |
| -BA | Buy American Act compliant product |
| -CI-4 | 4" rolling thread cast iron nipple |
| -CI-6 | 6" rolling thread cast iron nipple |
| -CI-8 | 8" rolling thread cast iron nipple |
| -CI-12 | 12" rolling thread cast iron nipple |
| -CI-24 | 24" rolling thread cast iron nipple |
| -FM | Floor mount, back outlet fixture support |
| -HD | Heavy duty 500 lb. load rated carrier |
| -HD-750 | Heavy duty 750 lb. load rated carrier |
| -HDX | Extra heavy duty 1,000 lb. load rated carrier |
| -HS | Hub and spigot connection |
| -OR8 | 8" rolling thread ABS nipple |

- | SUFFIX | |
|--------|---|
| -OR12 | 12" rolling thread ABS nipple |
| -PA | Pennsylvania Steel Act compliant product |
| -PFAB | Prefabricated carrier |
| -1 | Finishing / Tiling frame |
| -10 | Auxiliary support, recommended with nipple lengths over 12" |
| -12 | 12" tapered thread ABS nipple |
| -13 | Galvanized cast iron |
| -14 | Vandal proof finish trim |
| -17 | Test plug for custom and cast iron nipples |
| -19 | Nipple wrench |
| -20 | Flush valve support |

Job Name: _____
Section No: _____
Schedule No: _____

Page No: _____
Contractor: _____
Purchase Order No: _____