

Location: _____



MC-15

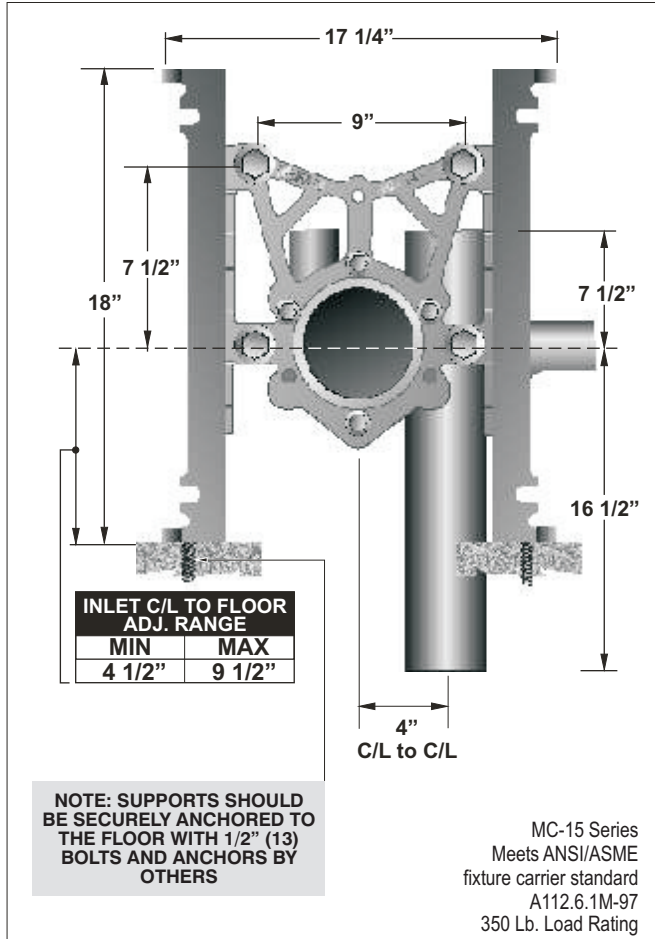
VERTICAL, FIXED, OFFSET FROM STACK WATER CLOSET CARRIER

Specification: MIFAB® Series MC-15 single, vertical, fixed, water closet carrier with offset lacquered cast iron fitting, 4" (102) no hub waste, 2" (51) no hub vent connection, lacquered cast iron faceplate, universal floor mounted cast iron foot supports, adjustable 8" tapered thread ABS nipple with integral test cap, neoprene bowl gasket, hardware, threaded rod protectors, polished chrome plated finishing cap nuts and rear anchor tie down support.

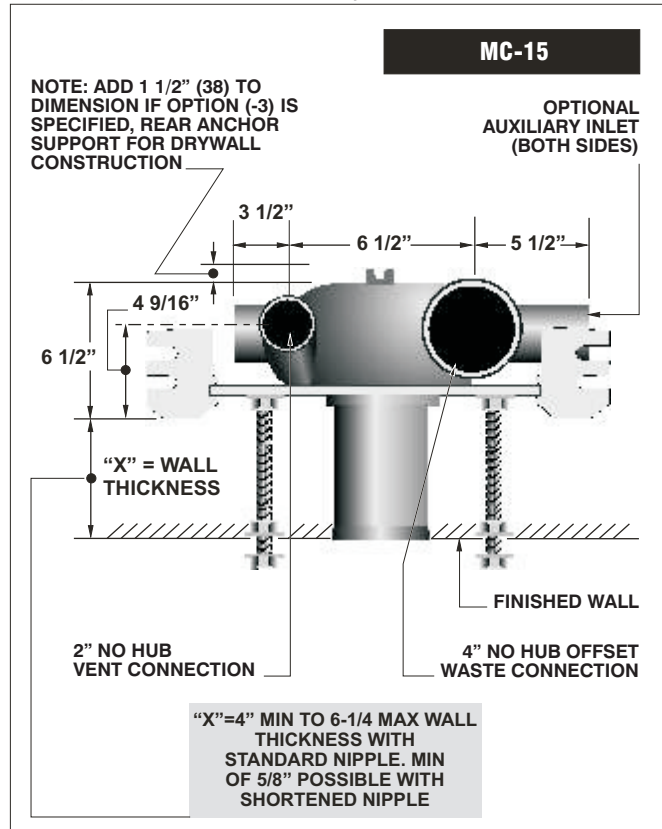
Function: Used with water closets that are offset from a common stack by 4" in multi-floor installations where minimum pipe space is required. Typical for off the floor plumbing fixtures that are wall mounted and have no contact with the finished floor. The closet carrier is completely concealed within the wall and supports the load of the fixture through a faceplate and foot support system that is anchored to the floor. Sanitation underneath the fixture is more efficiently and economically maintained when installed off of the floor compared to floor mounted

Note: 8" (203) minimum space required between front of foot and rear of anchor support.

Note: Foot supports and faceplate are assembled at the factory before shipment in the typical siphon jet water closet configuration and are reversible for the blowout water closet design.



Note: 8" tapered thread ABS nipple shipped standard with MC-15 Series carriers. The universal faceplate assembly accepts all nipple variations, rolling thread (-OR), cast iron (-CI) and tapered thread ABS with adjustable horn (-AH).



- | SUFFIX | OPTIONAL VARIATIONS: |
|---------|---|
| -AH8 | 8" ABS nipple with adjustable horn |
| -AH12 | 12" ABS nipple with adjustable horn |
| -BA | Buy American Act compliant product |
| -CI-4 | 4" rolling thread cast iron nipple |
| -CI-6 | 6" rolling thread cast iron nipple |
| -CI-8 | 8" rolling thread cast iron nipple |
| -CI-12 | 12" rolling thread cast iron nipple |
| -CI-24 | 24" rolling thread cast iron nipple |
| -FM | Floor mount, back outlet fixture support |
| -HD | Heavy duty 500 lb. load rated carrier |
| -HD-750 | Heavy duty 750 lb. load rated carrier |
| -HDX | Extra heavy duty 1,000 lb. load rated carrier |
| -HS | Hub and spigot connection |
| -OR8 | 8" rolling thread ABS nipple |
| -OR12 | 12" rolling thread ABS nipple |

- | SUFFIX | |
|--------|---|
| -PA | Pennsylvania Steel Act compliant product |
| -PFAB | Prefabricated carrier |
| -1 | Finishing / Tiling frame |
| -10 | Auxiliary support, recommended with nipple lengths over 12" |
| -12 | 12" tapered thread ABS nipple |
| -13 | Galvanized cast iron |
| -14 | Vandal proof finish trim |
| -17 | Test plug for custom and cast iron nipples |
| -19 | Nipple wrench |
| -20 | Flush valve support |
| -25 | 2" Auxiliary inlet, right side |
| -26 | 2" Auxiliary inlet, left side |
| -31 | Two 2" Auxiliary inlets |

Job Name: _____	Page No: _____
Section No: _____	Contractor: _____
Schedule No: _____	Purchase Order No: _____