

Location: _____

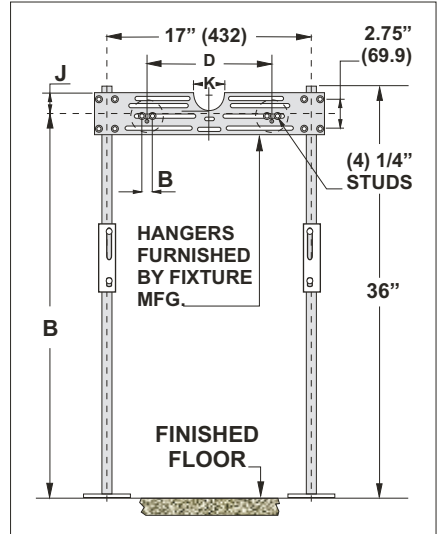
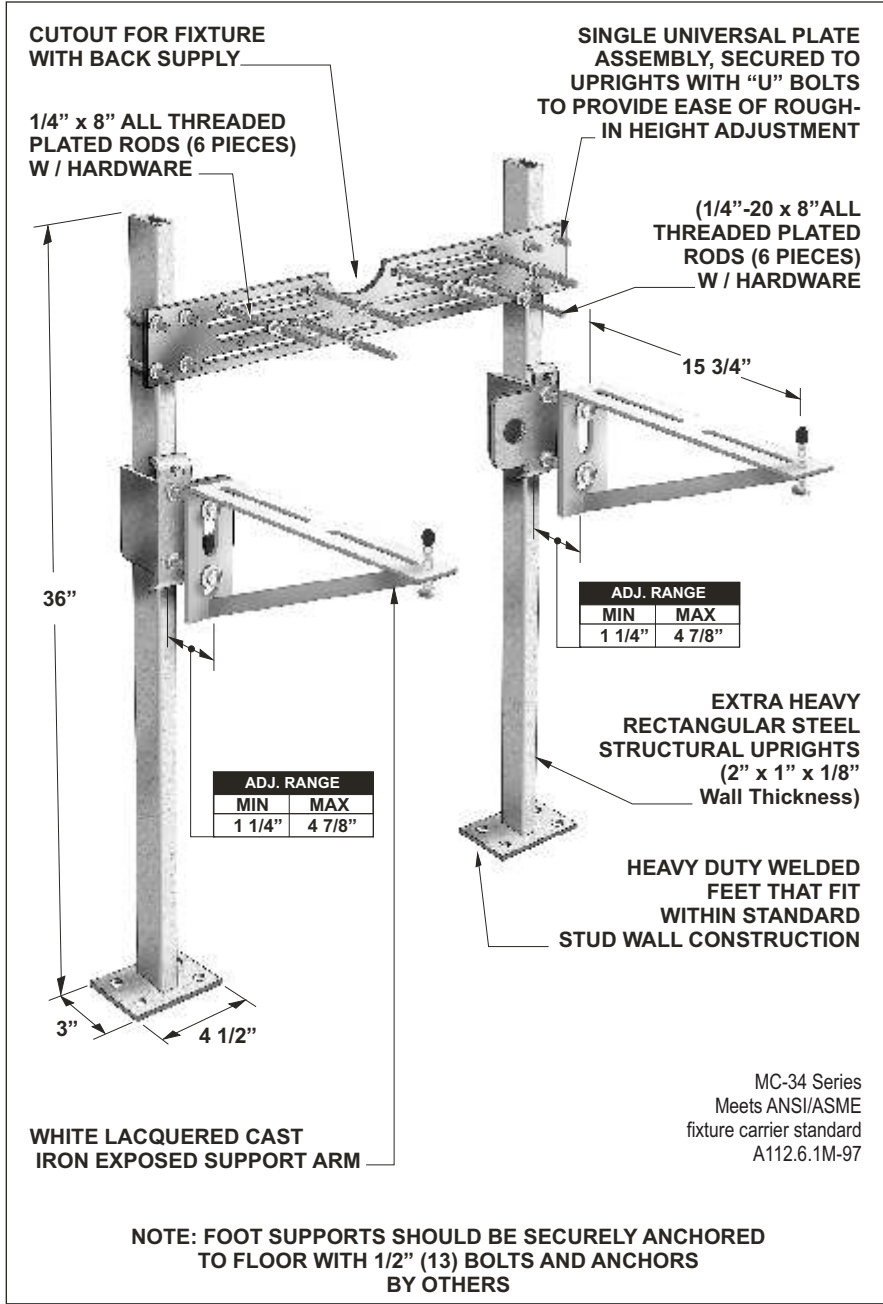


MC-34

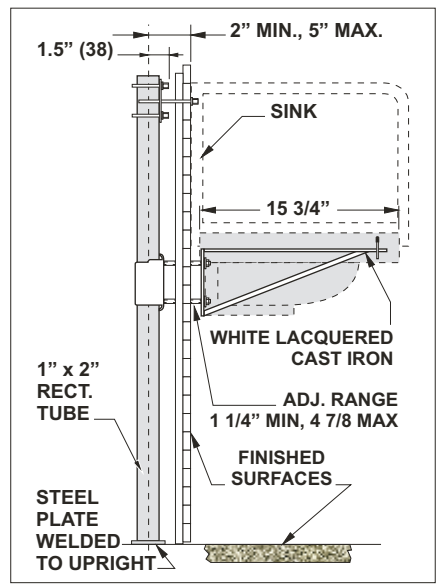
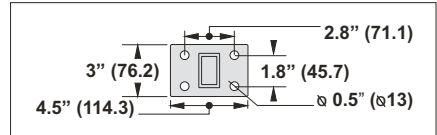
SINGLE HANGER PLATE AND EXPOSED ARM LAVATORY CARRIER WITH TWO UPRIGHTS

Specification: MIFAB® Series MC-34 single hanger plate and exposed arm lavatory carrier with universal, adjustable, top support plate and white lacquered, adjustable, cast iron exposed support arms assembled to lacquered cast iron invertible and adjustable arm supporting brackets. Complete with two lacquered 2" x 1" x 1/8" thick structural steel uprights with 3" x 4 1/2" welded steel feet and mounting hardware.

Function: Used to support heavy duty wall-hung lavatories that are independent of the wall. Heavy duty cast iron support arms provide extra support for the fixture. Designed for use in conjunction with the fixture hangar plate supplied by the fixture manufacturer.



BASE DETAIL



Note: See the various fixture dimensional rough-in guides on the www.mifab.com website.

SUFFIX OPTIONAL VARIATIONS:

- A Stud length over 8" (specify)
- BA Buy American Act compliant product
- G Wall support plate
- HDH Heavy duty hanger
- I 3/8" threaded eye bolts for cast iron lavs (H-1028)

SUFFIX

- PA Pennsylvania Steel Act compliant product
- PFAB Prefabricated carrier
- Z Higher uprights (over 36")
- 14 Vandal proof finish trim

Job Name: _____ Page No: _____
 Section No: _____ Contractor: _____
 Schedule No: _____ Purchase Order No: _____

MIFAB reserves the right to make changes in material and design without formal notice and obligation.