

Location: _____

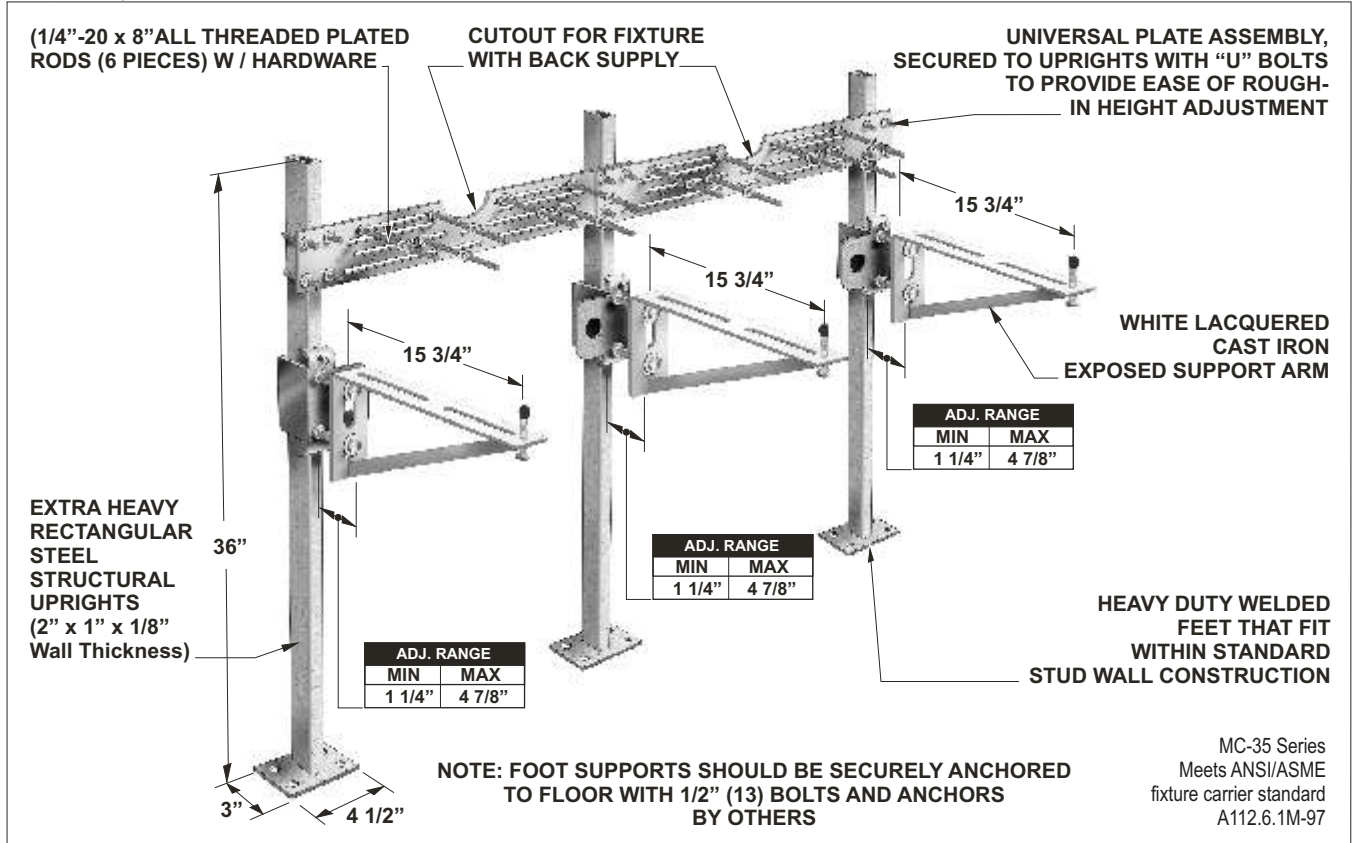


MC-35

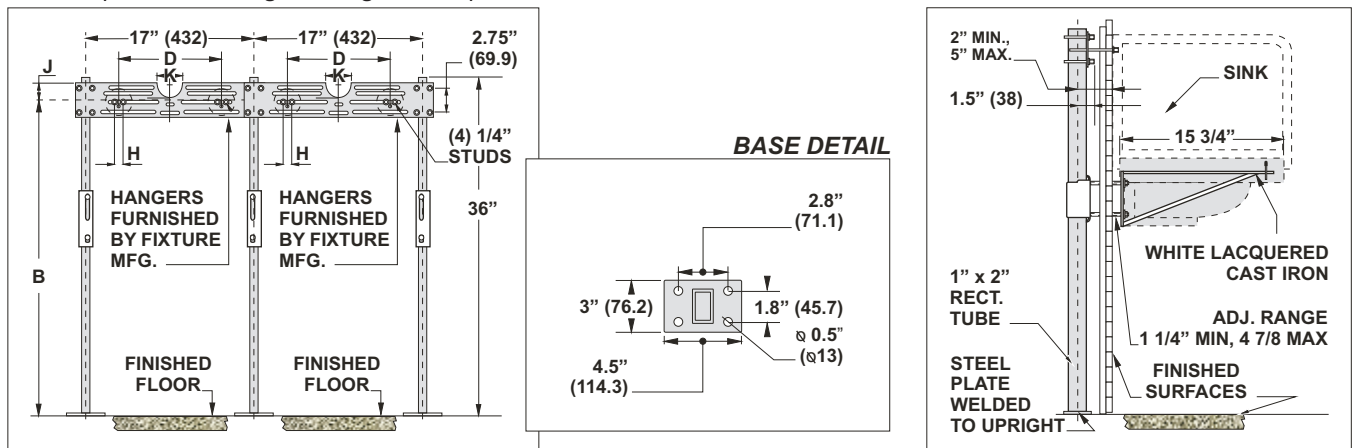
HANGER PLATE AND EXPOSED ARM LAVATORY CARRIER WITH THREE UPRIGHTS

Specification: MIFAB® Series MC-35 hanger plate and exposed arm lavatory carrier with two universal, adjustable, top support plates and three white, lacquered, adjustable, cast iron exposed support arms assembled to lacquered cast iron invertible and adjustable arm supporting brackets. Complete with three lacquered 2" x 1" x 1/8" thick structural steel uprights with 3" x 4 1/2" welded steel feet and mounting hardware.

Function: Used to support extra wide heavy duty wall-hung lavatories such as scrub sinks that are independent of the wall. Heavy duty cast iron support arms provide extra support for the fixture. Designed for use in conjunction with the fixture hangar plate supplied by the fixture manufacturer.



Note: Wall supported fixture mounting plates must be securely affixed (with suitable hardware by others) to a wall fully capable of bearing the weight of the plate and fixture.



- SUFFIX** **OPTIONAL VARIATIONS:**
- A Stud length over 8" (specify)
 - BA Buy American Act compliant product
 - G Wall support plate
 - I 3/8" threaded eye bolts for cast iron lavs (H-1028)

- SUFFIX**
- PA Pennsylvania Steel Act compliant product
 - PFAB Prefabricated carrier
 - Z Higher uprights (over 36")
 - 14 Vandal proof finish trim

Job Name: _____ Page No: _____

Section No: _____ Contractor: _____

Schedule No: _____ Purchase Order No: _____