

Location: _____



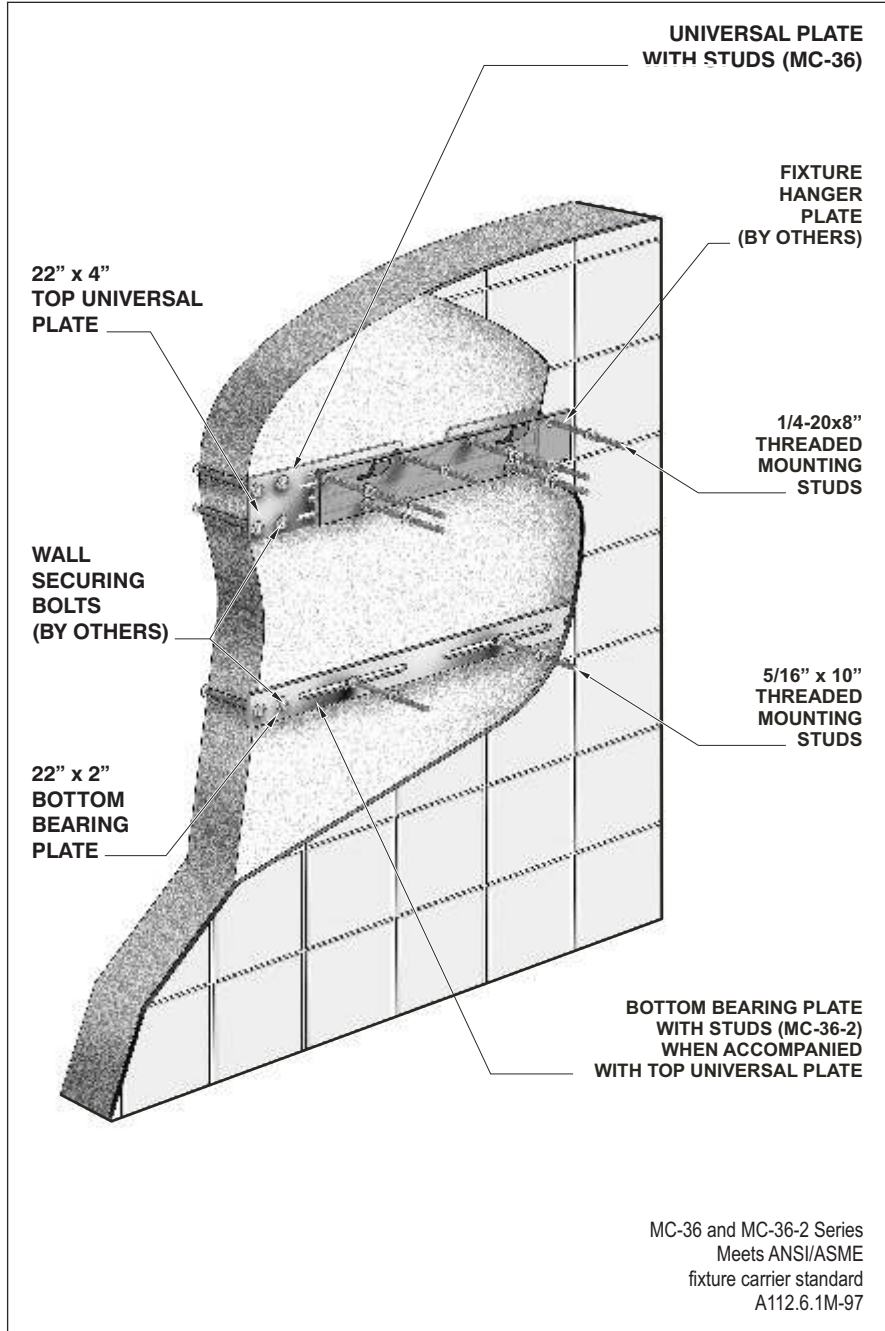
MC-36 - MC-36-2

WALL SUPPORTED PLATE SYSTEMS

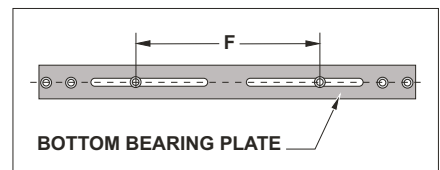
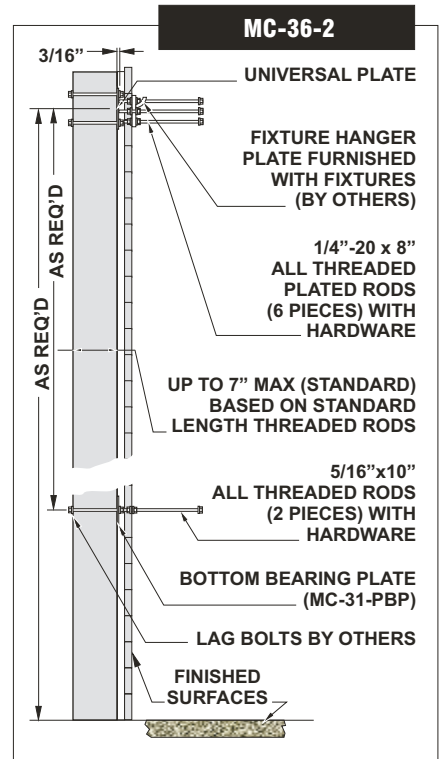
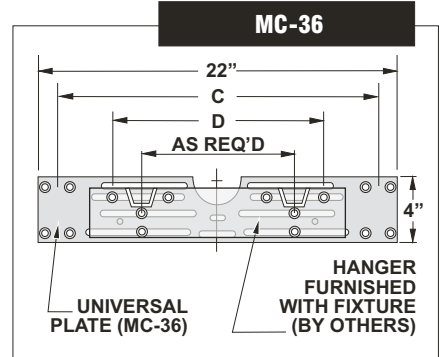
Specification: MC-36 MIFAB® Series MC-36, 22" x 4" lacquered steel plate with universal slots and six pieces of 1/4-20 x 8" long all threaded plated mounting studs with nuts and washers.

MC-36-2 MIFAB® Series MC-36-2, 22" x 4" top lacquered steel plate with universal slots and six pieces of 1/4-20 x 8" long all threaded plated mounting studs and 22" x 2" bottom bearing plate with slots and two pieces of 5/16 x 10" long all threaded plated mounting studs with nuts and washers.

Function: Used to support urinals, lavatories, drinking fountains, water coolers and other off the floor fixtures with the mounting studs and hardware provided. Plate(s) are typically mounted directly onto walls up to 7" thick. Universally drilled slots in the mounting plates will suit most fixtures. The fixture hanger plate is supplied by the fixture manufacturer.



MC-36 and MC-36-2 Series
Meets ANSI/ASME
fixture carrier standard
A112.6.1M-97



Note: See the various fixture dimensional rough-in guides on the www.mifab.com website.

SUFFIX OPTIONAL VARIATIONS:
-A Stud length over 8" (specify)
-BA Buy American Act compliant product

SUFFIX
-HDH Heavy duty hanger
-PA Pennsylvania Steel Act compliant product

Job Name: _____	Page No: _____
Section No: _____	Contractor: _____
Schedule No: _____	Purchase Order No: _____

MIFAB reserves the right to make changes in material and design without formal notice and obligation.