

Location: _____

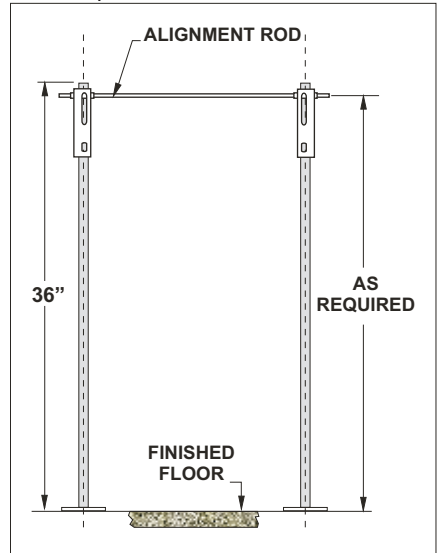
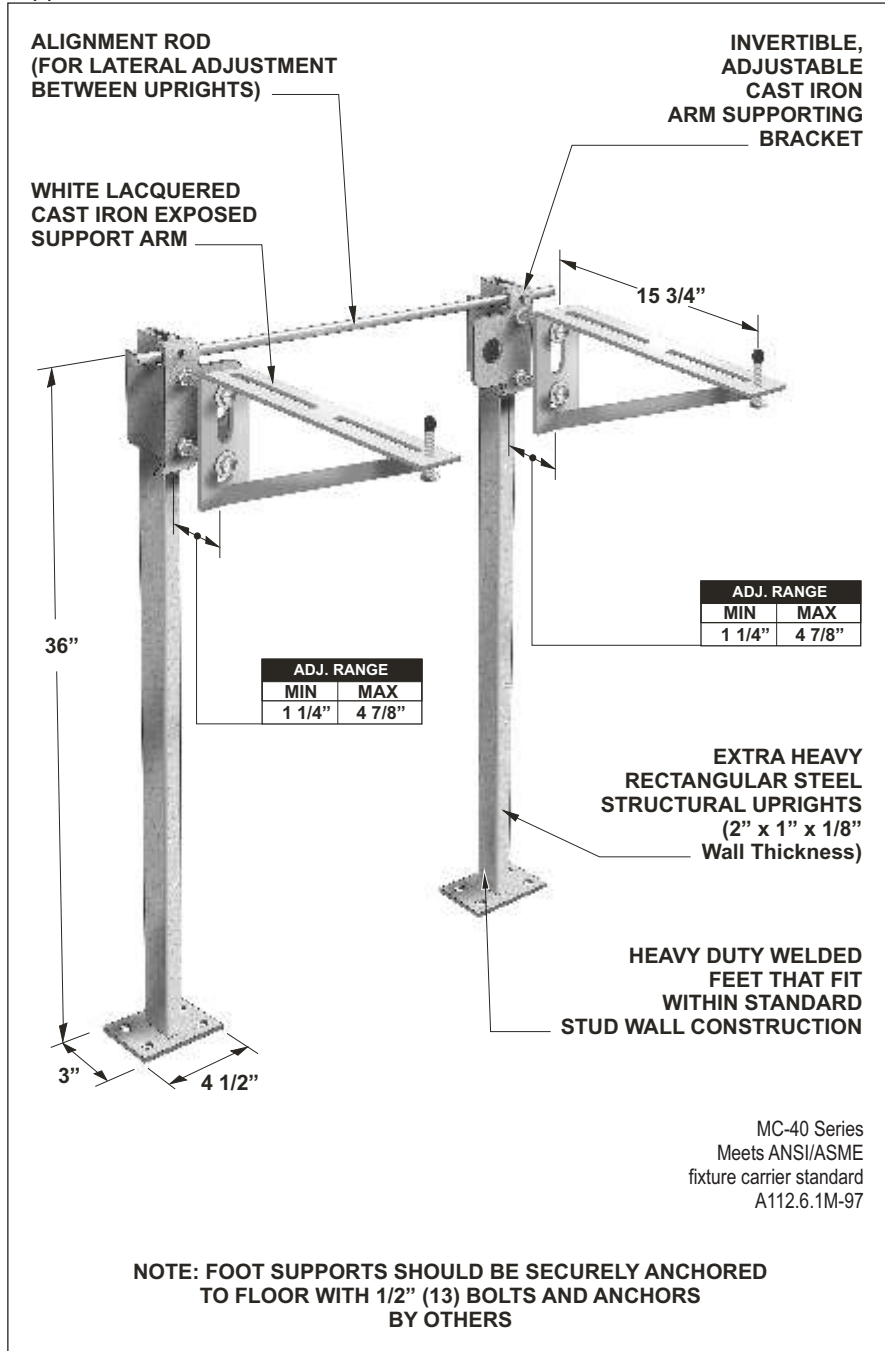


MC-40

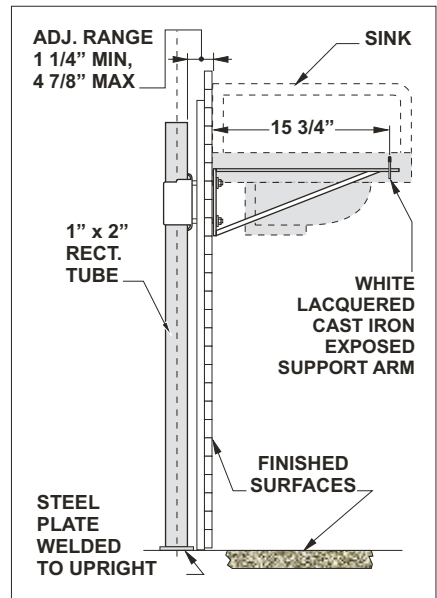
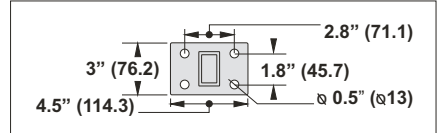
FIXTURE CARRIER WITH EXPOSED ARMS

Specification: MIFAB® Series MC-40 floor mounted exposed arm lavatory carrier with white, lacquered, adjustable, cast iron exposed support arms. Complete with lacquered cast iron invertible and adjustable arm supporting brackets, alignment rod, two lacquered 2" x 1" x 1/8" thick structural steel uprights with 3" x 4 1/2" welded steel feet and mounting hardware.

Function: Used to support heavy duty lavatories that are independent of the wall. Heavy duty cast iron support arms provide extra support for the fixtures that are unavailable drilled for concealed arms such as semi-counter top lavatories.



BASE DETAIL



Note: See the various fixture dimensional rough-in guides on the www.mifab.com website.

SUFFIX OPTIONAL VARIATIONS:

- A Stud length over 8" (specify)
- BA Buy American Act compliant product
- F Bar support valve plate
- G Wall support plate
- I 3/8" threaded eye bolts for cast iron lavs (H-1028)

SUFFIX

- PA Pennsylvania Steel Act compliant product
- PFAB Prefabricated carrier
- Z Higher uprights (over 36")
- 14 Vandal proof finish trim
- 32 Foot pedal mounting plate

Job Name: _____ Page No: _____

Section No: _____ Contractor: _____

Schedule No: _____ Purchase Order No: _____

MIFAB reserves the right to make changes in material and design without formal notice and obligation.