

Location: _____

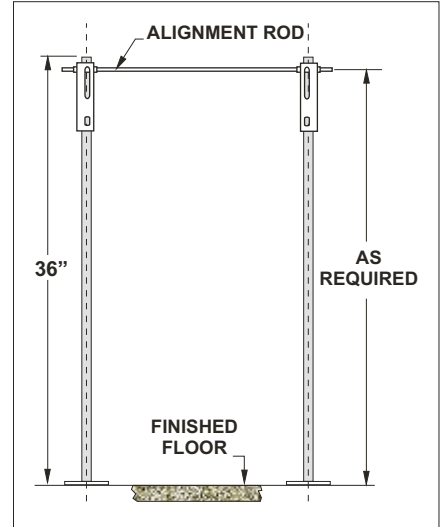
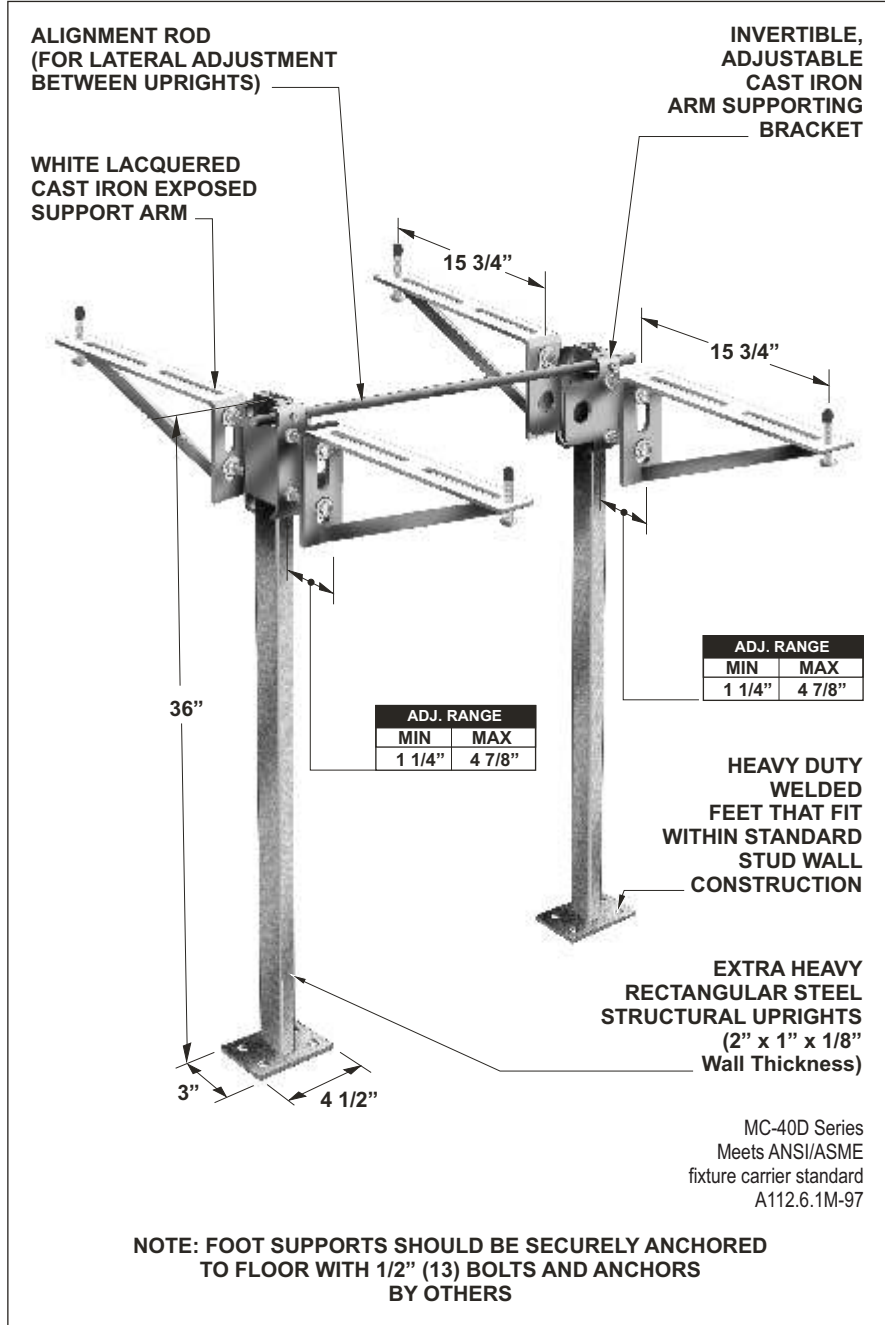


MC-40D

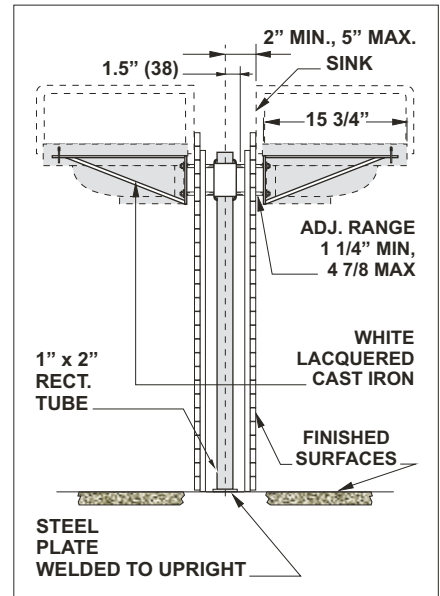
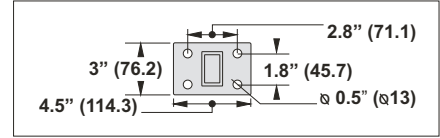
FIXTURE CARRIER WITH BACK TO BACK EXPOSED ARMS

Specification: MIFAB® Series MC-40D floor mounted exposed arm lavatory carrier with back to back white, lacquered, adjustable, cast iron exposed support arms. Complete with back to back lacquered cast iron invertible and adjustable arm supporting brackets, alignment rod, two lacquered 2" x 1" x 1/8" thick structural steel uprights with 3" x 4 1/2" welded steel feet and mounting hardware.

Function: Used to support back to back heavy duty lavatories that are independent of the wall. Heavy duty cast iron support arms provide extra support for the fixtures that are unavailable drilled for concealed arms such as semi-counter top lavatories.



BASE DETAIL



NOTE: FOOT SUPPORTS SHOULD BE SECURELY ANCHORED TO FLOOR WITH 1/2" (13) BOLTS AND ANCHORS BY OTHERS

Note: See the various fixture dimensional rough-in guides on the www.mifab.com website.

SUFFIX OPTIONAL VARIATIONS:

- A Stud length over 8" (specify)
- BA Buy American Act compliant product
- F Bar support valve plate
- G Wall support plate
- I 3/8" threaded eye bolts for cast iron lavs (H-1028)

SUFFIX

- PA Pennsylvania Steel Act compliant product
- PFAB Prefabricated carrier
- Z Higher uprights (over 36")
- 14 Vandal proof finish trim
- 32 Foot pedal mounting plate

Job Name: _____	Page No: _____
Section No: _____	Contractor: _____
Schedule No: _____	Purchase Order No: _____

MIFAB reserves the right to make changes in material and design without formal notice and obligation.